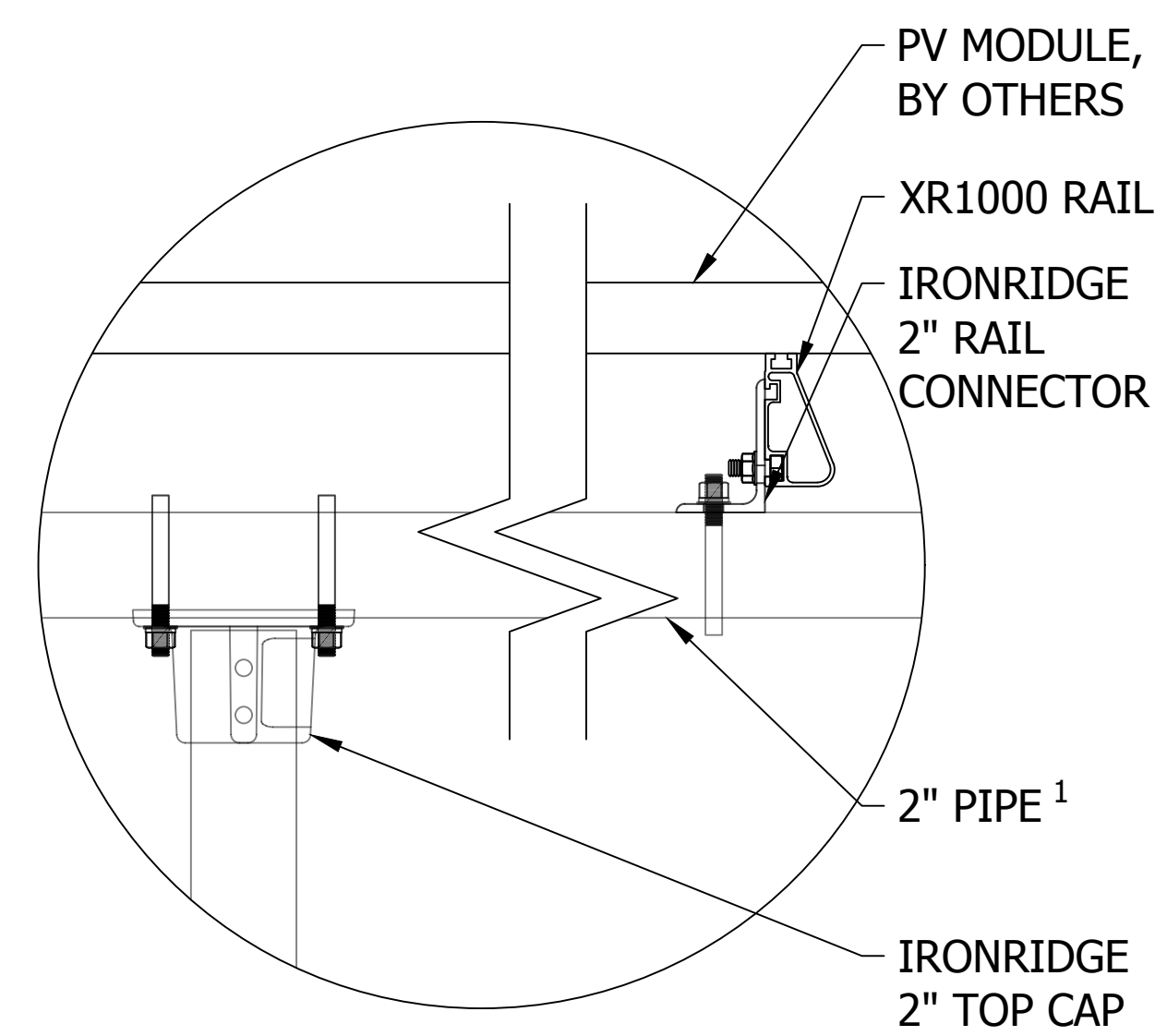
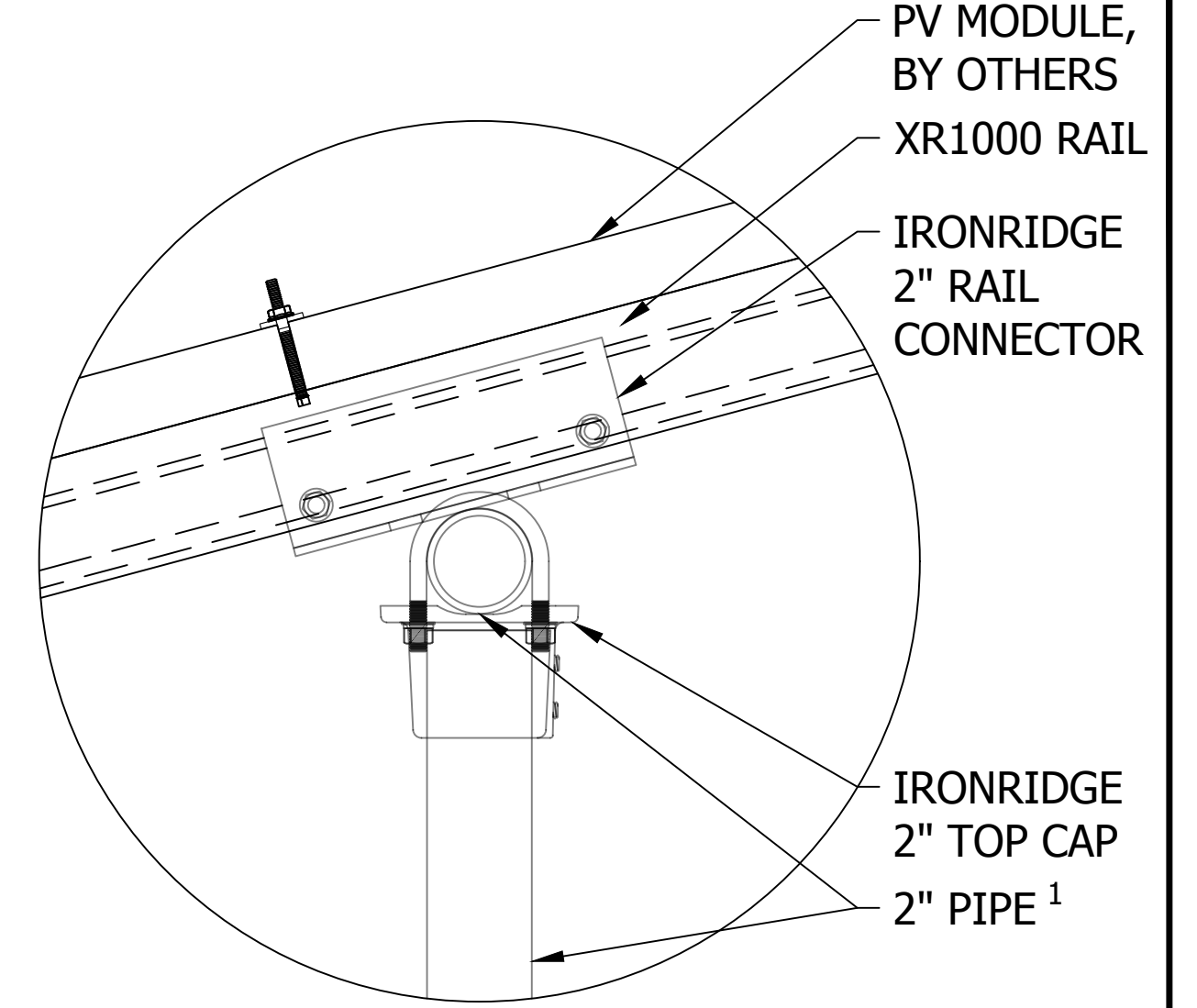


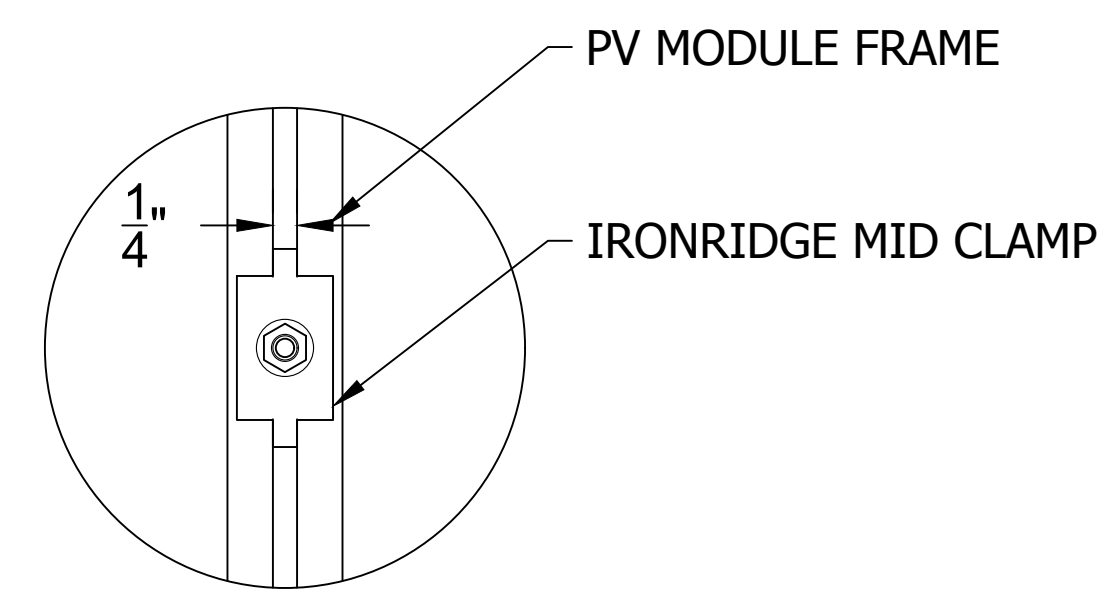
A 3-UP - PV SYSTEM PLAN DETAIL
Scale: 1/2"=1'-0"



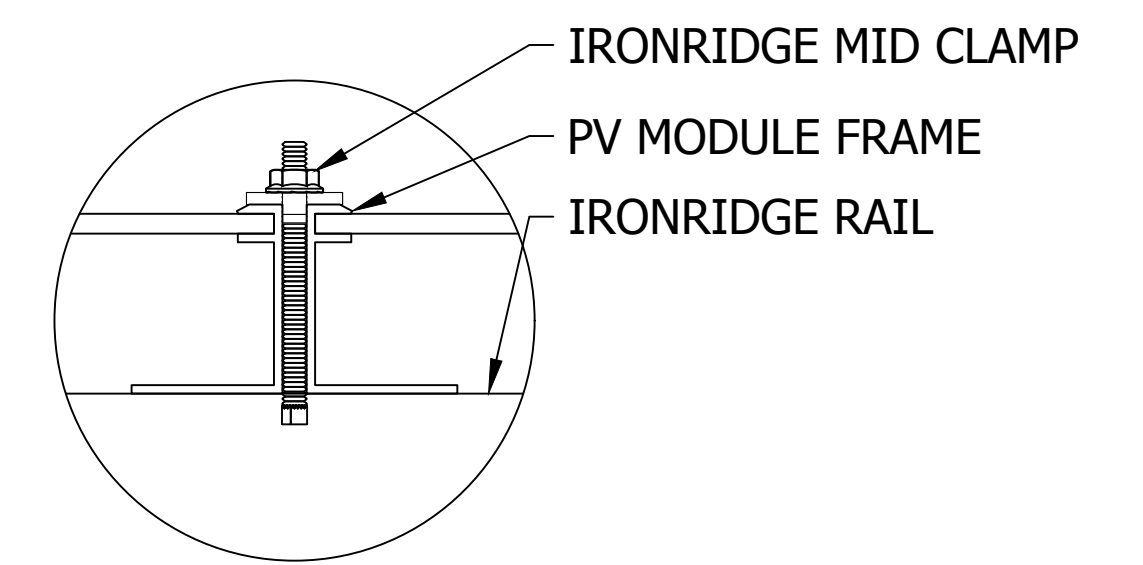
C PIPE FITTINGS DETAIL
3"=1'-0"



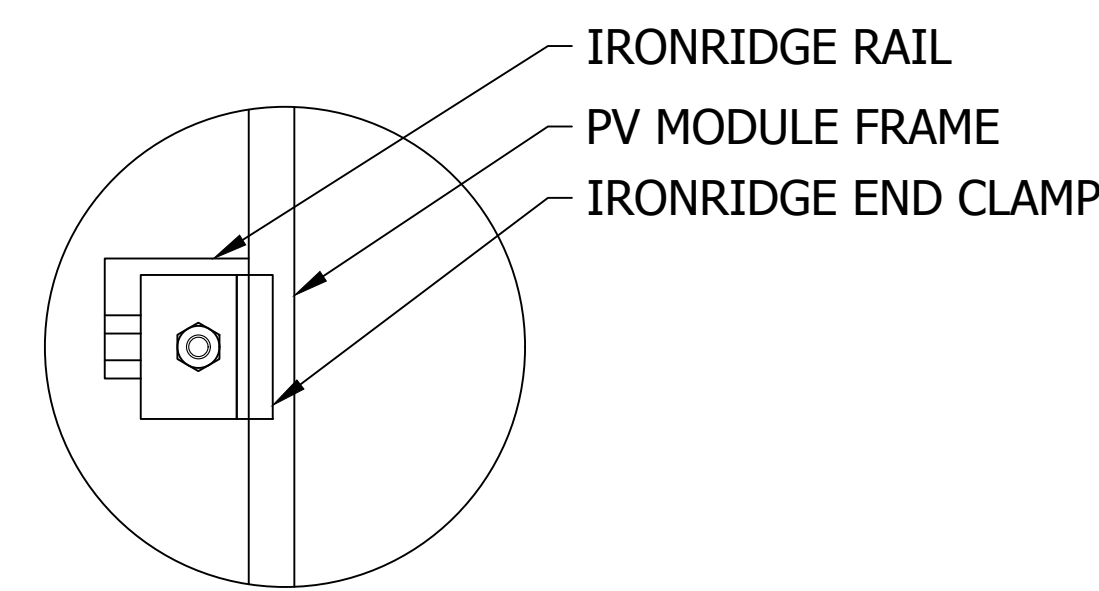
D PIPE FITTINGS DETAIL
3"=1'-0"



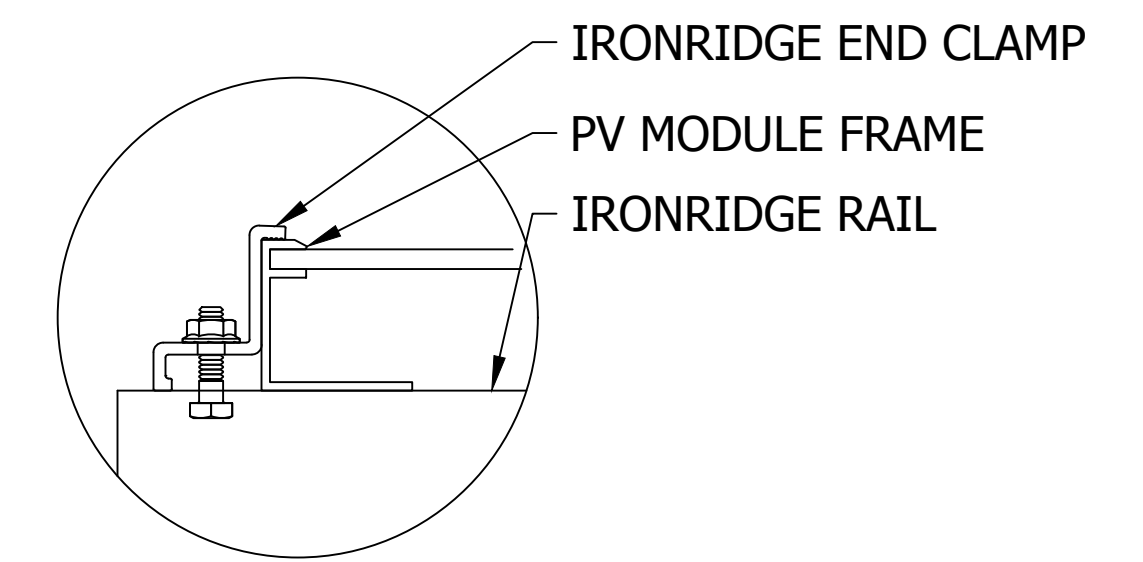
E DETAIL, MID CLAMP PLAN
6"=1'-0"



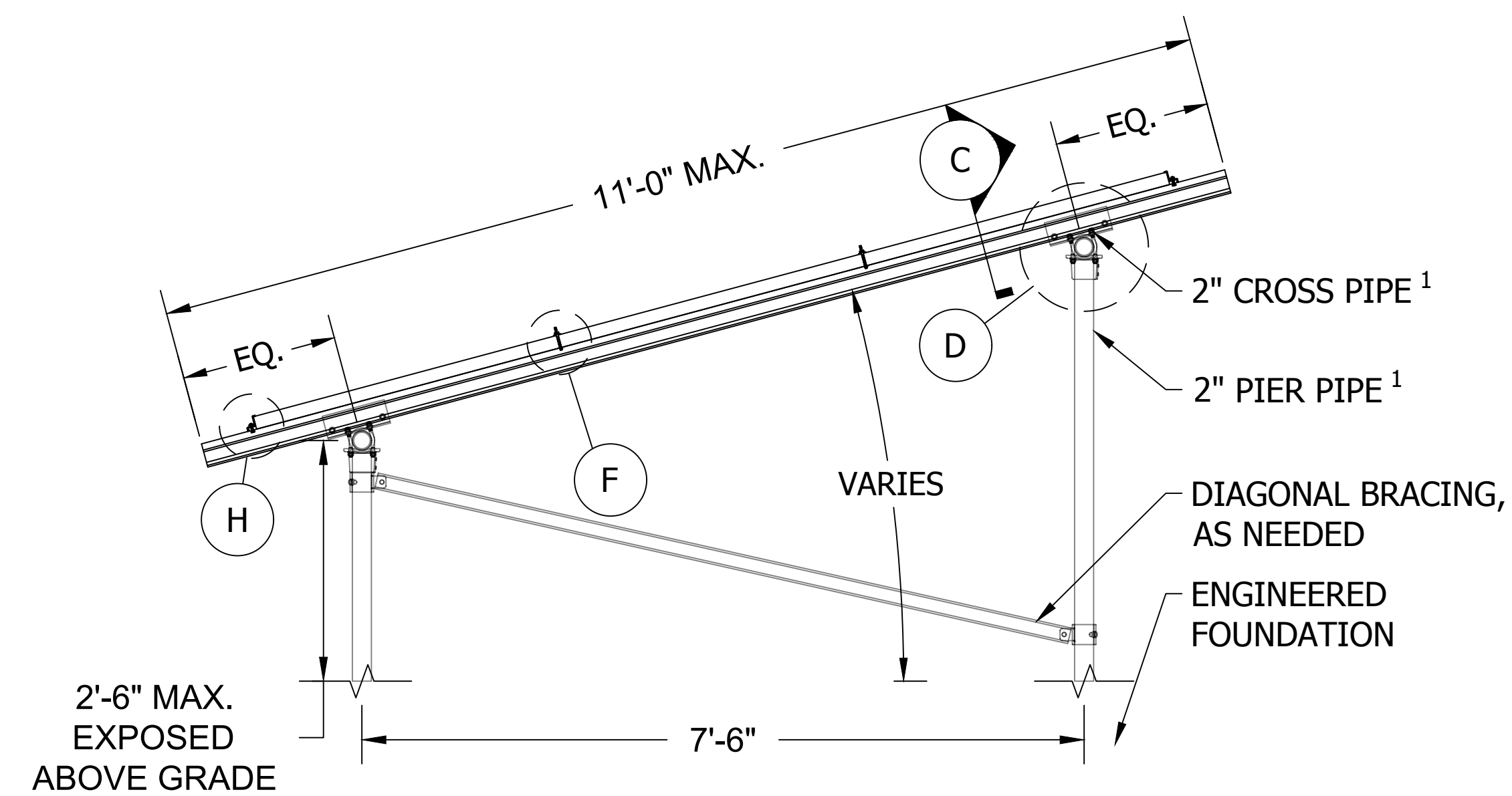
F DETAIL, MID CLAMP FRONT
6"=1'-0"



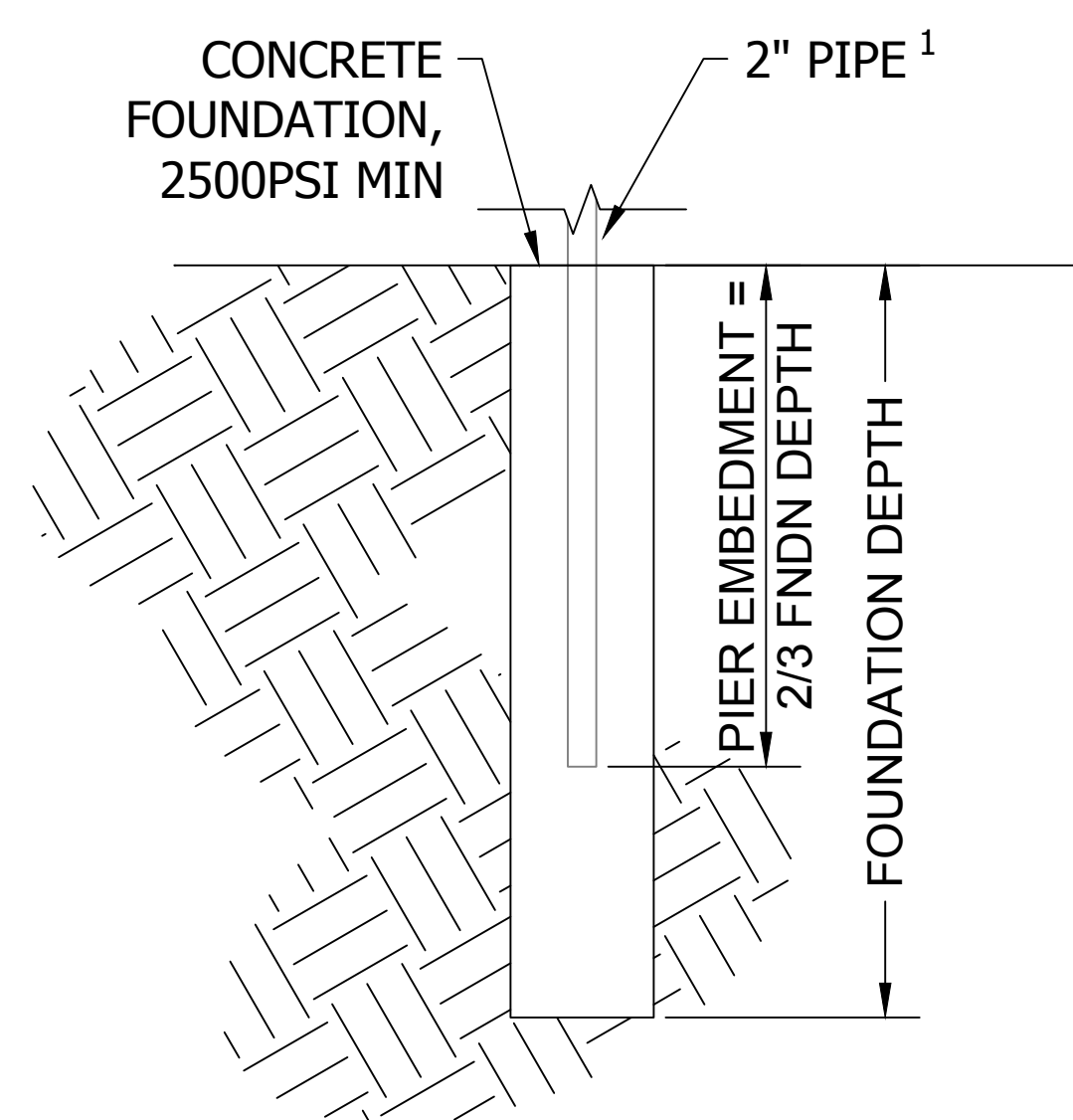
G DETAIL, END CLAMP PLAN
6"=1'-0"



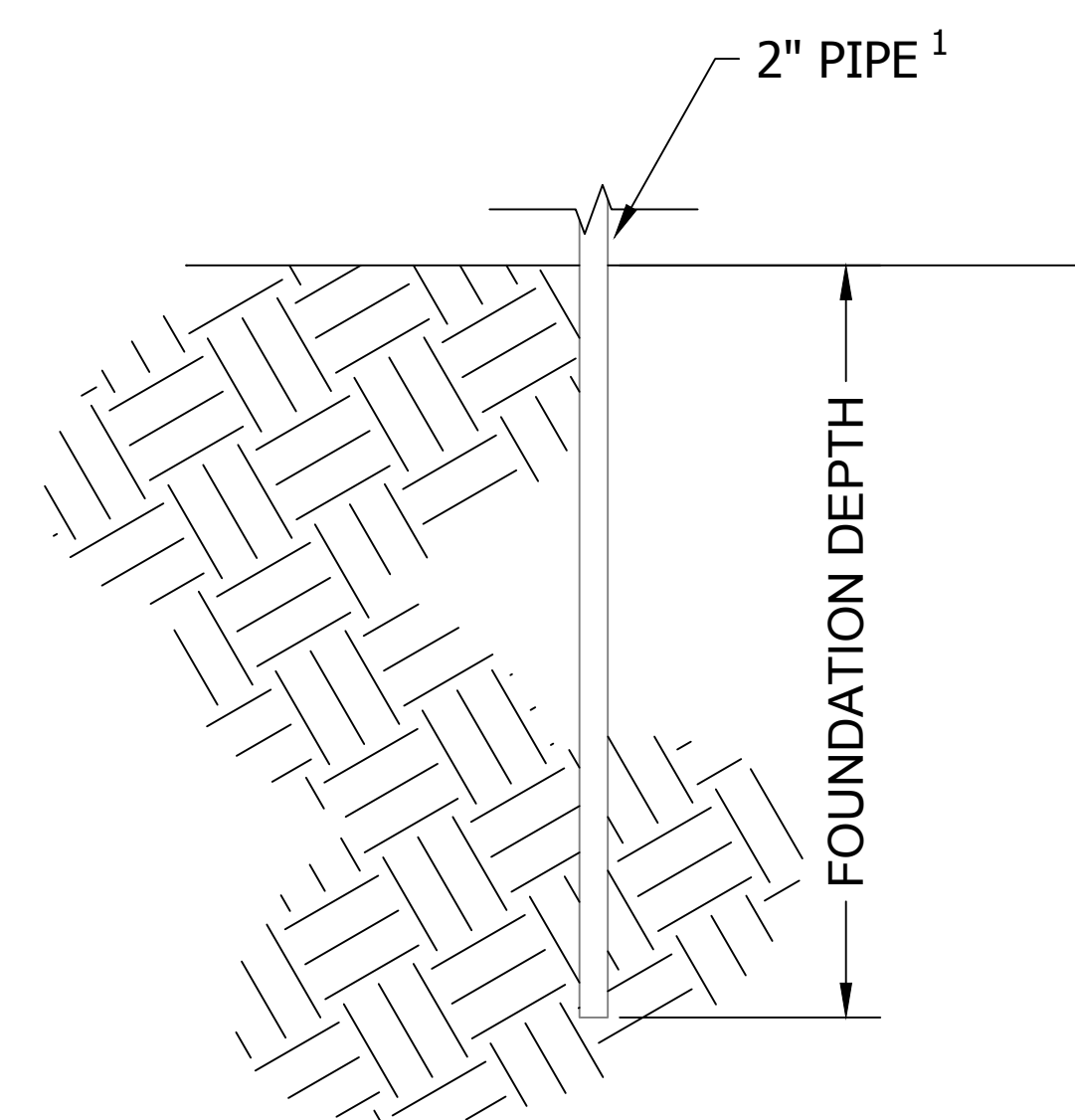
H DETAIL, END CLAMP FRONT
6"=1'-0"



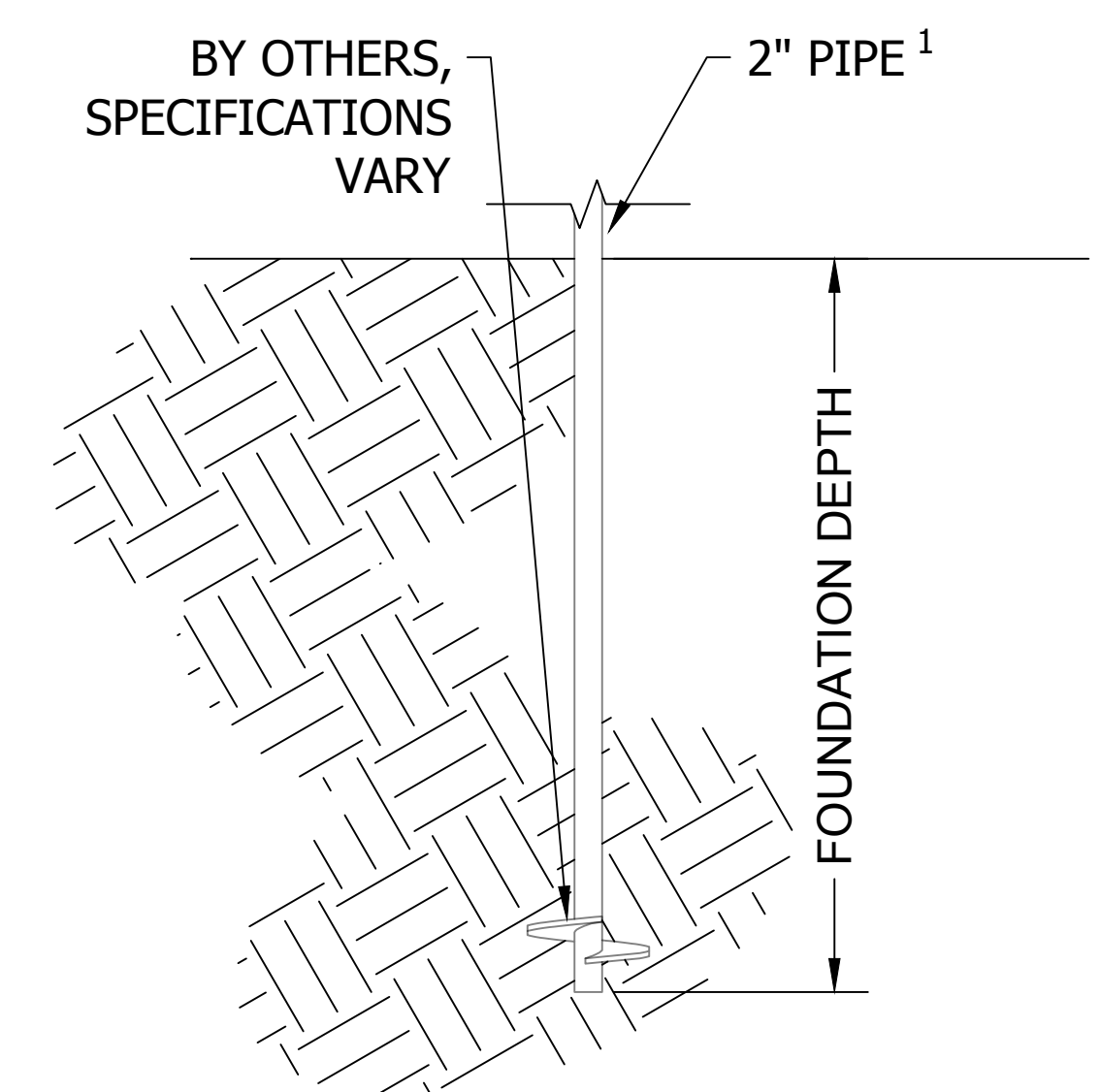
B 3-UP - PV SYSTEM SIDE SECTION
Scale: 3/4"=1'-0"



J DRILL/POUR FOUNDATION
Scale: 3/4"=1'-0"



K DRIVEN PIER FOUNDATION
Scale: 3/4"=1'-0"



L HELICAL PILE FOUNDATION
Scale: 3/4"=1'-0"

- SHEET NOTES
1. SCHEDULE 40 PIPE OR ALLIED MECHANICAL TUBING (12GA WALL THICKNESS)
 2. URL: IRONRIDGE GROUND MOUNT INSTALL MANUAL
 3. URL: IRONRIDGE GROUND MOUNT ENGINEERING DESIGN GUIDE

IRONRIDGE	GROUND MOUNT SYSTEM
CLIENT NAME	PROJECT NAME
	PROJECT ADDRESS
	SYSTEM KW DC

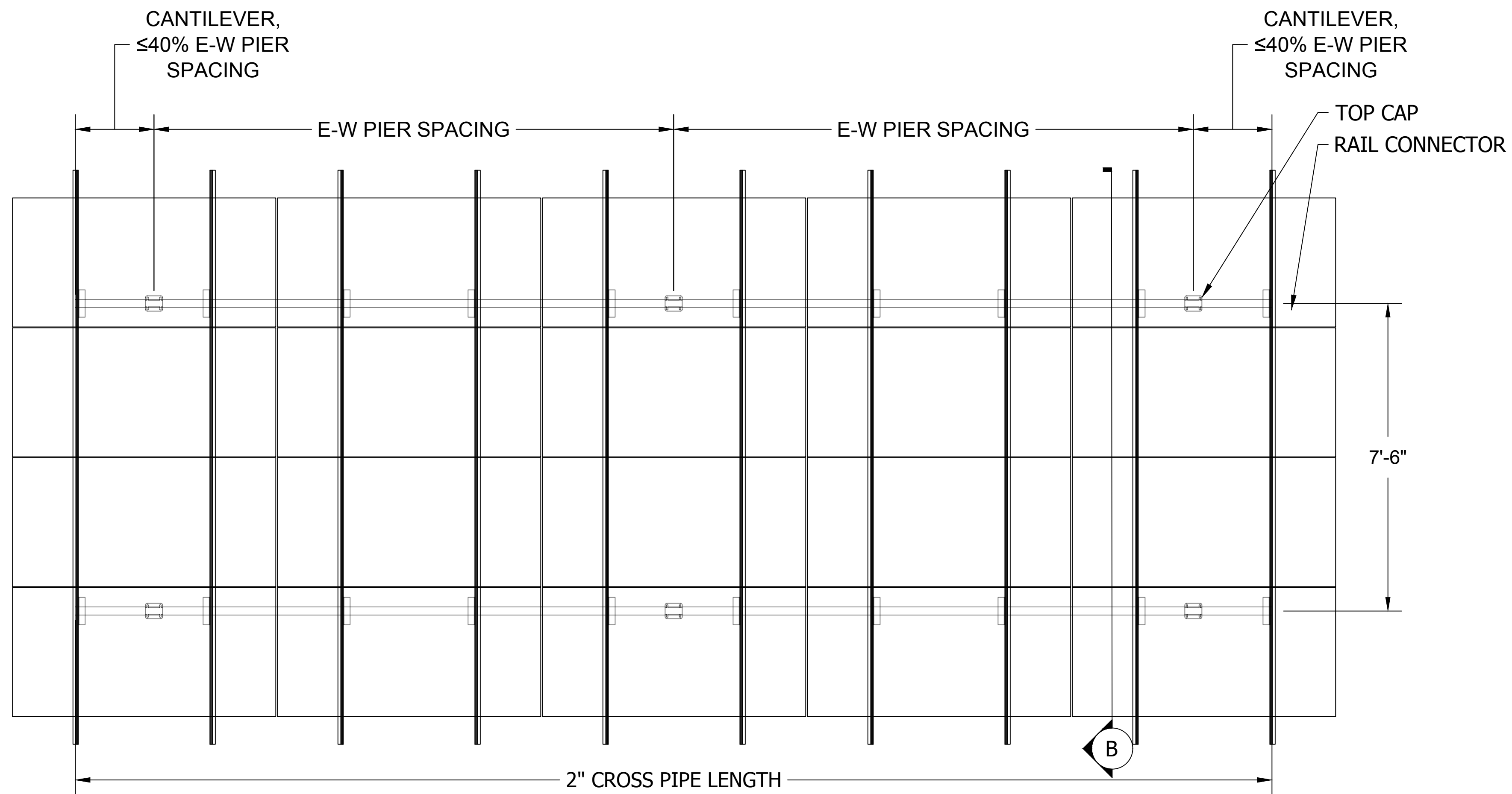
WIND SPEED, MPH	SNOW LOAD, PSF	EXPOSURE CAT	RISK CAT	MODULE TYPE	72-CELL, GENERIC
				MODULE W DC	
				MODULE QTY	

APPROVAL STATUS

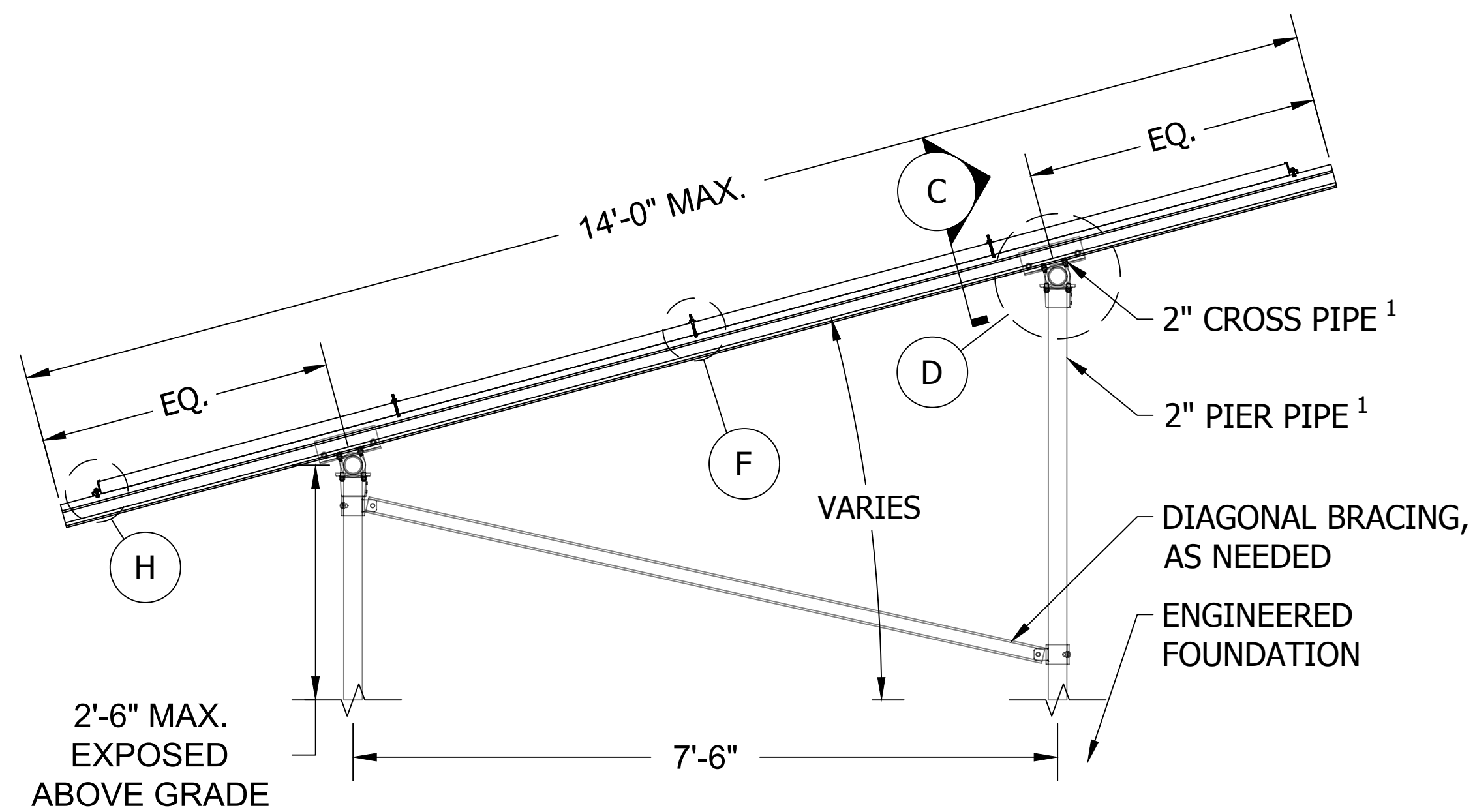
NOT FOR CONSTRUCTION

REV	DESCRIPTION	DATE

SHEET NAME	
PV SYSTEM DETAILS 3-UP 2"	
JOB NO.	2.09 GM
ISSUE DATE	XX NOV 2015
SHEET NO.	IR 1
SHEET SIZE	24X36

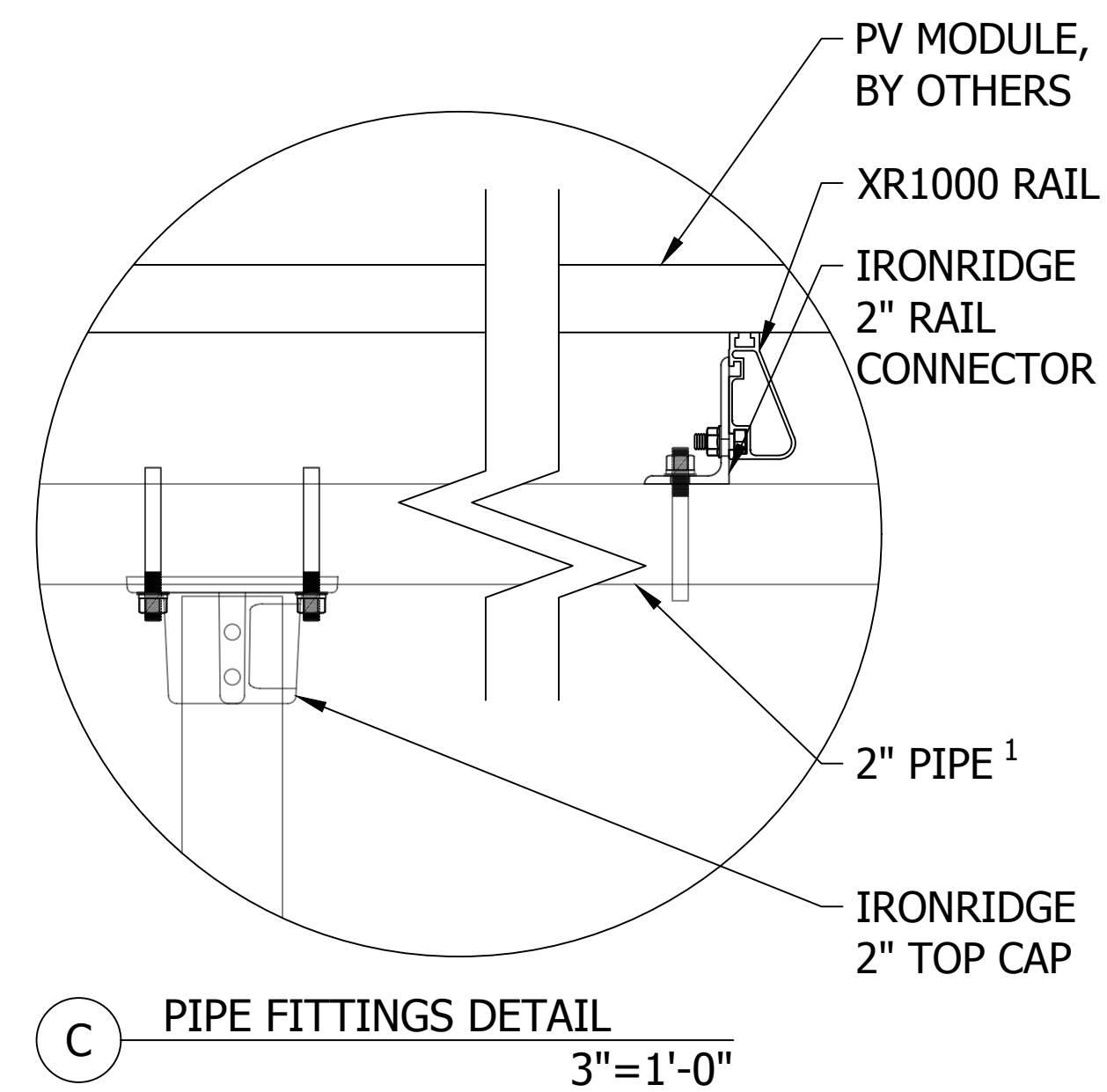


A 4-UP - PV SYSTEM PLAN DETAIL
Scale: 1/2"=1'-0"

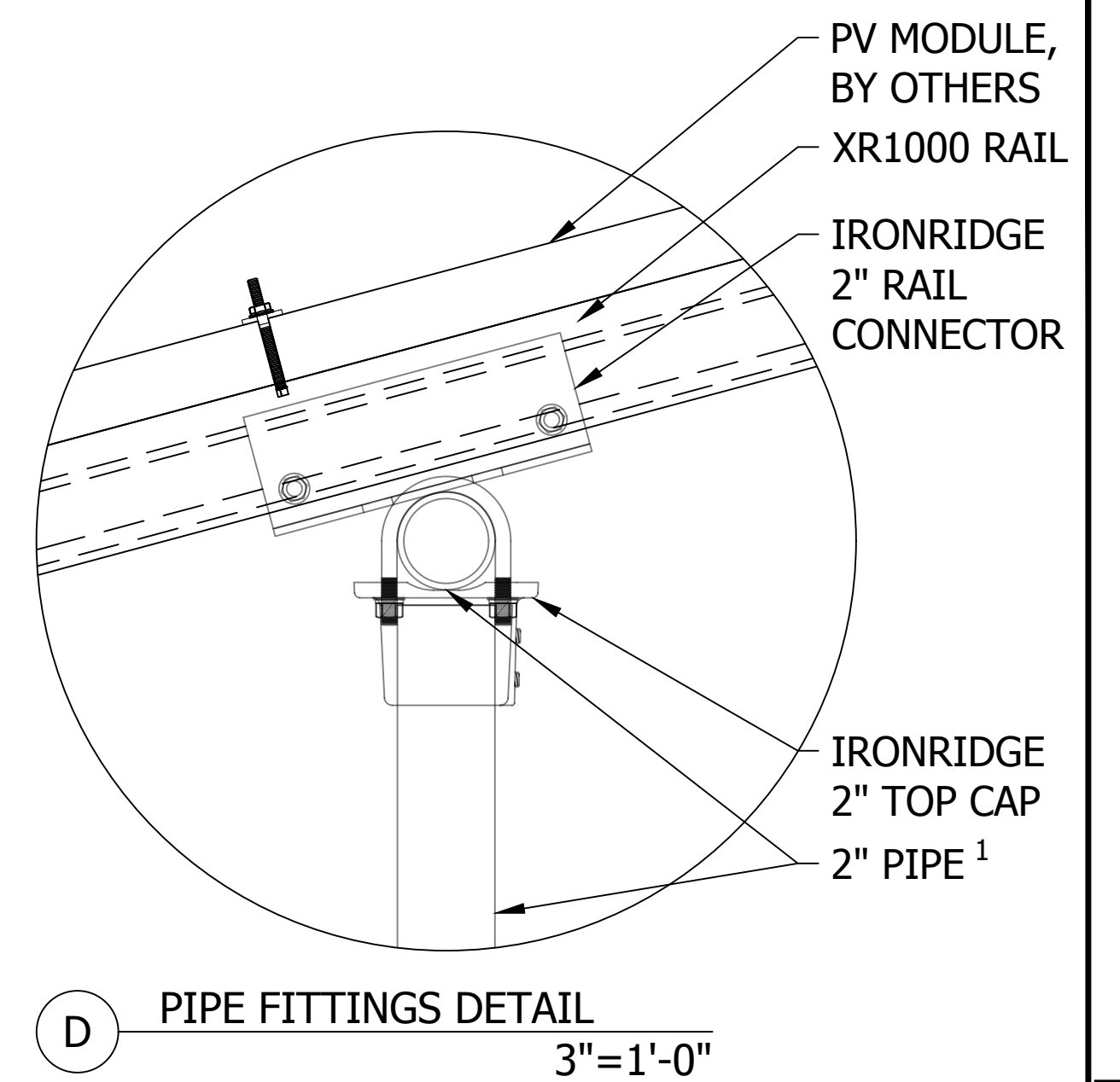


B 4-UP - PV SYSTEM SIDE SECTION
Scale: 3/4"=1'-0"

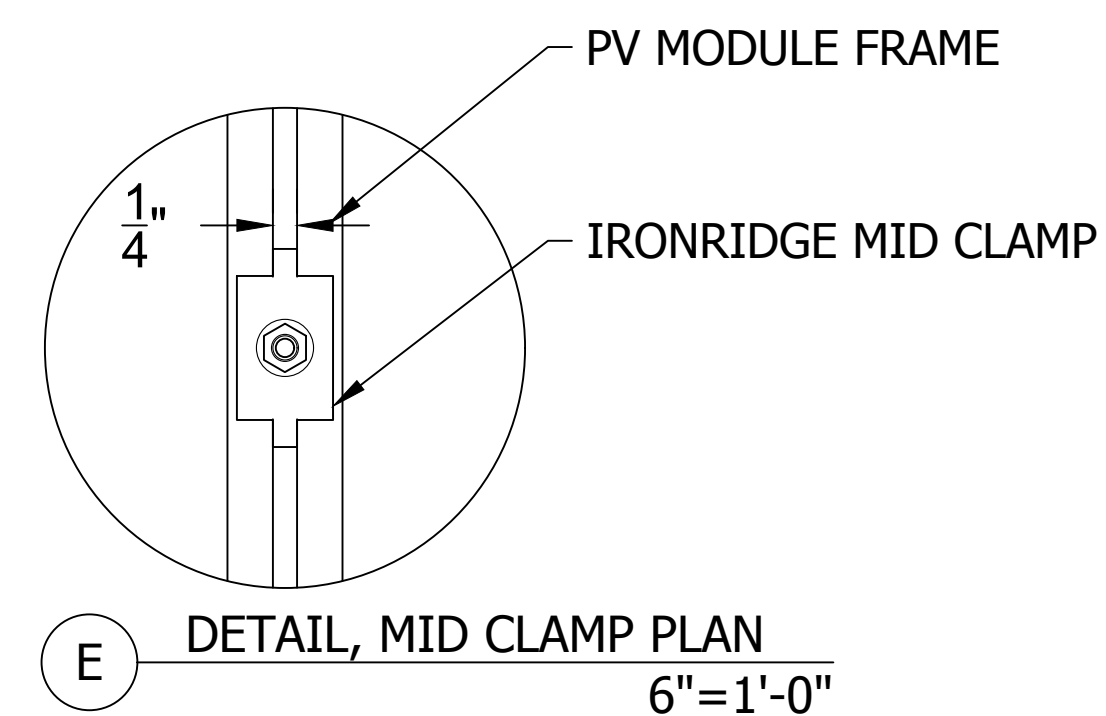
- SHEET NOTES**
1. SCHEDULE 40 PIPE OR ALLIED MECHANICAL TUBING (12GA WALL THICKNESS)
 2. URL: IRONRIDGE GROUND MOUNT INSTALL MANUAL
 3. URL: IRONRIDGE GROUND MOUNT ENGINEERING DESIGN GUIDE



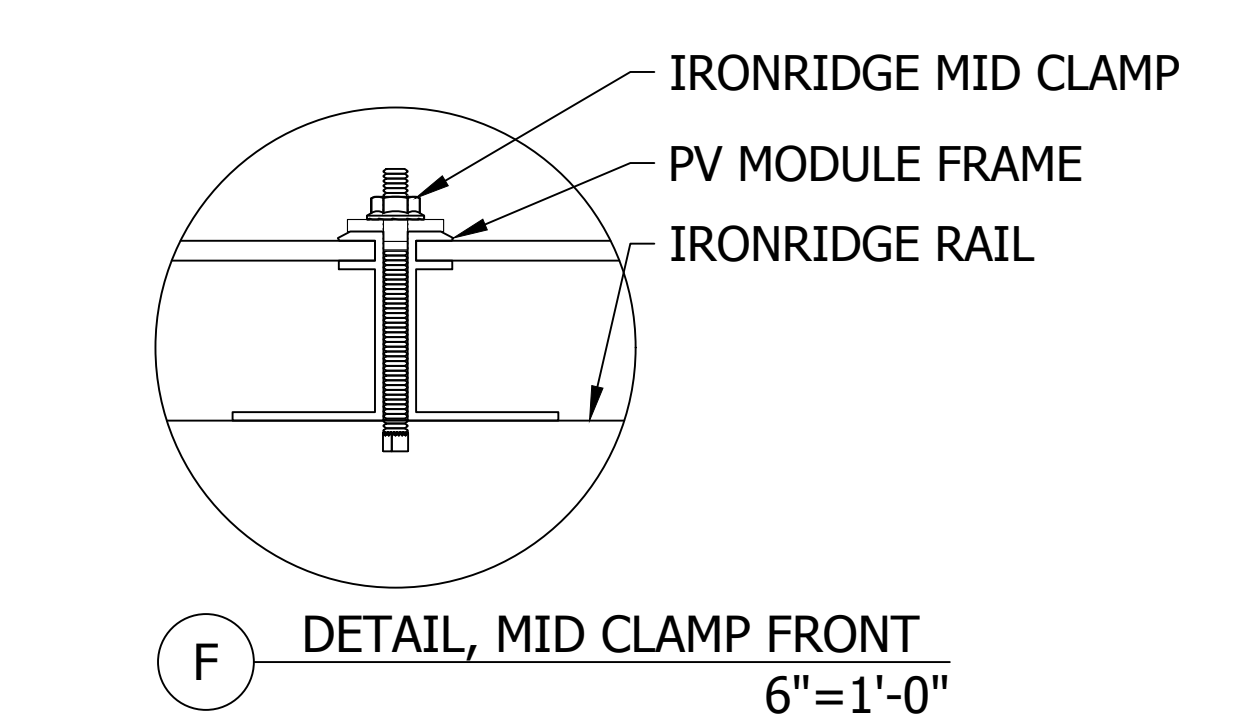
C PIPE FITTINGS DETAIL
3"=1'-0"



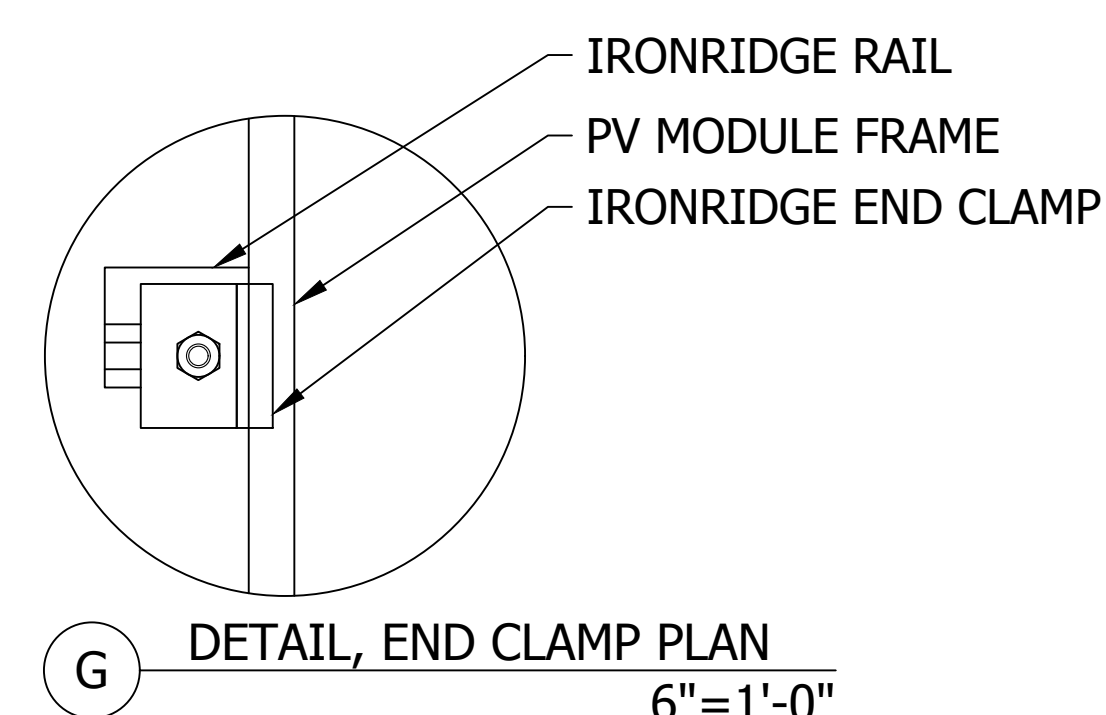
D PIPE FITTINGS DETAIL
3"=1'-0"



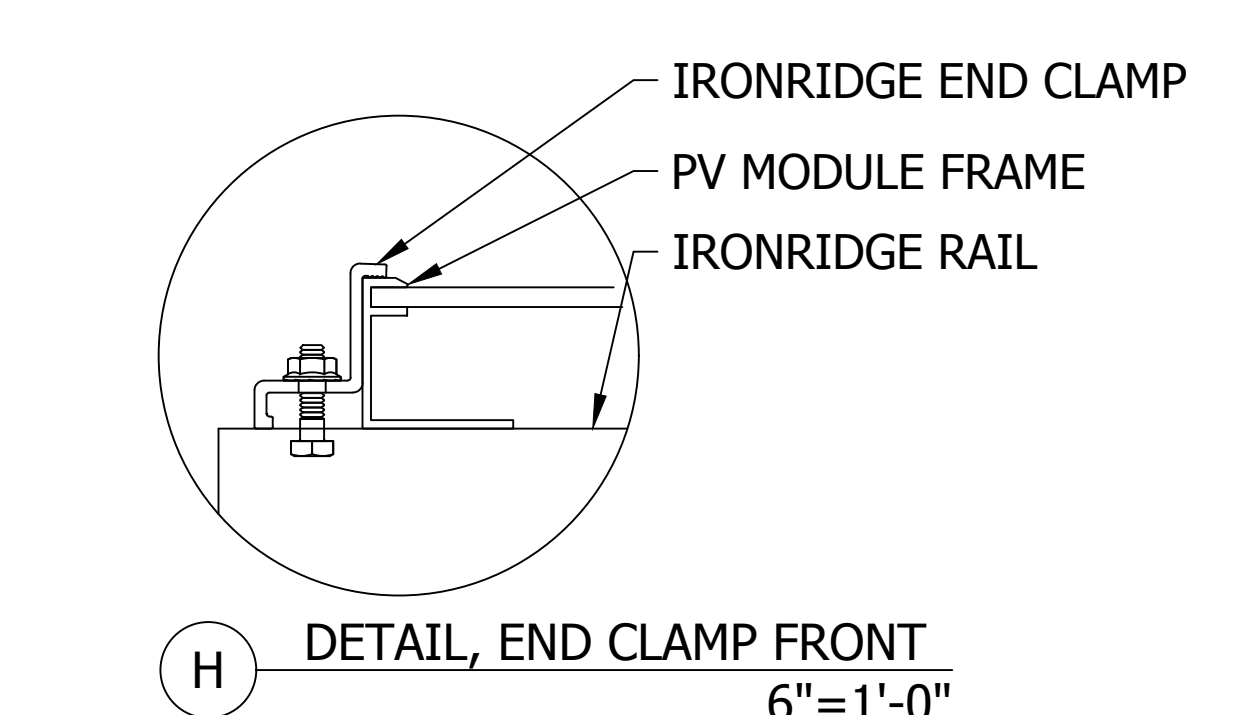
E DETAIL, MID CLAMP PLAN
6"=1'-0"



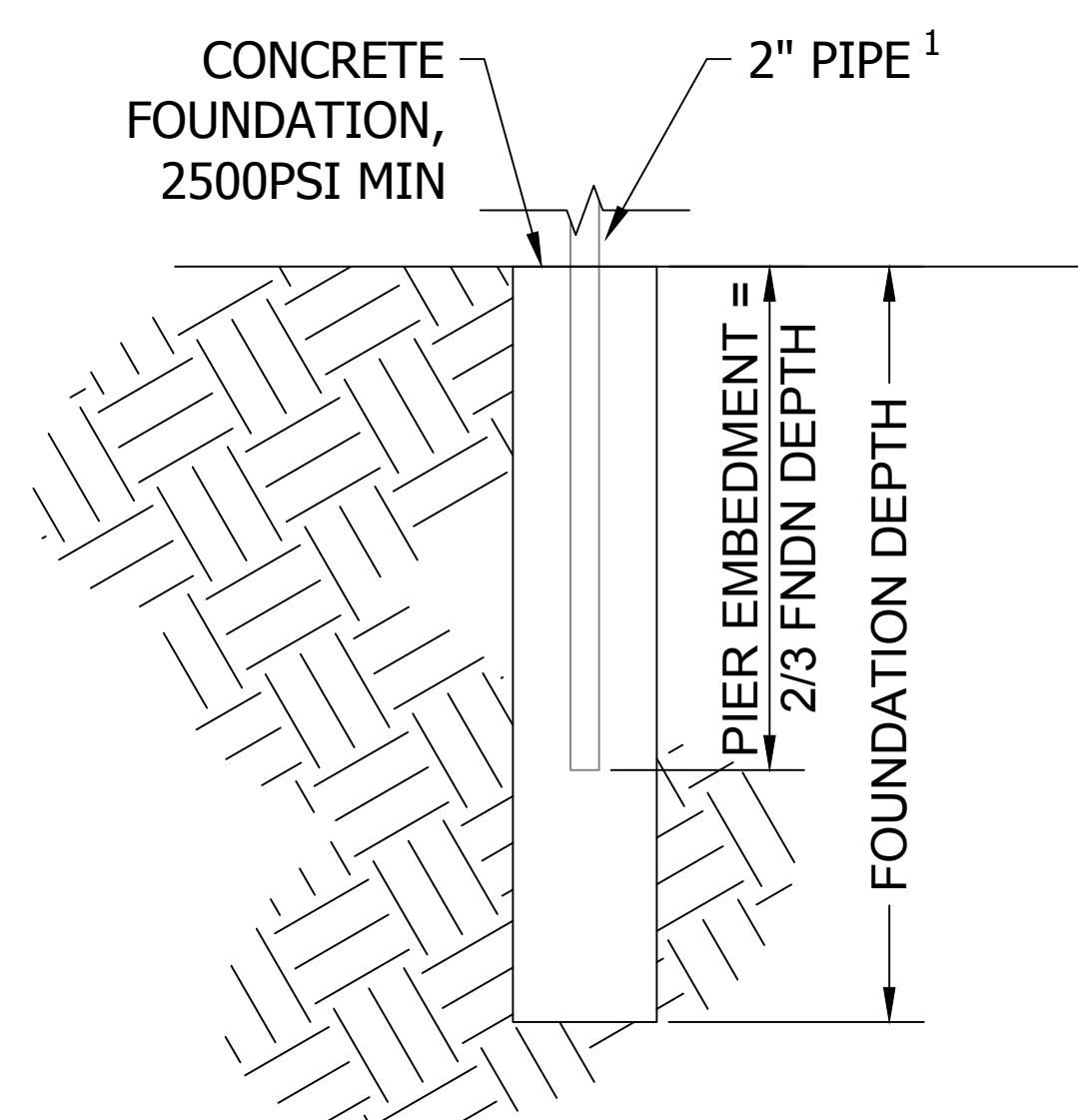
F DETAIL, MID CLAMP FRONT
6"=1'-0"



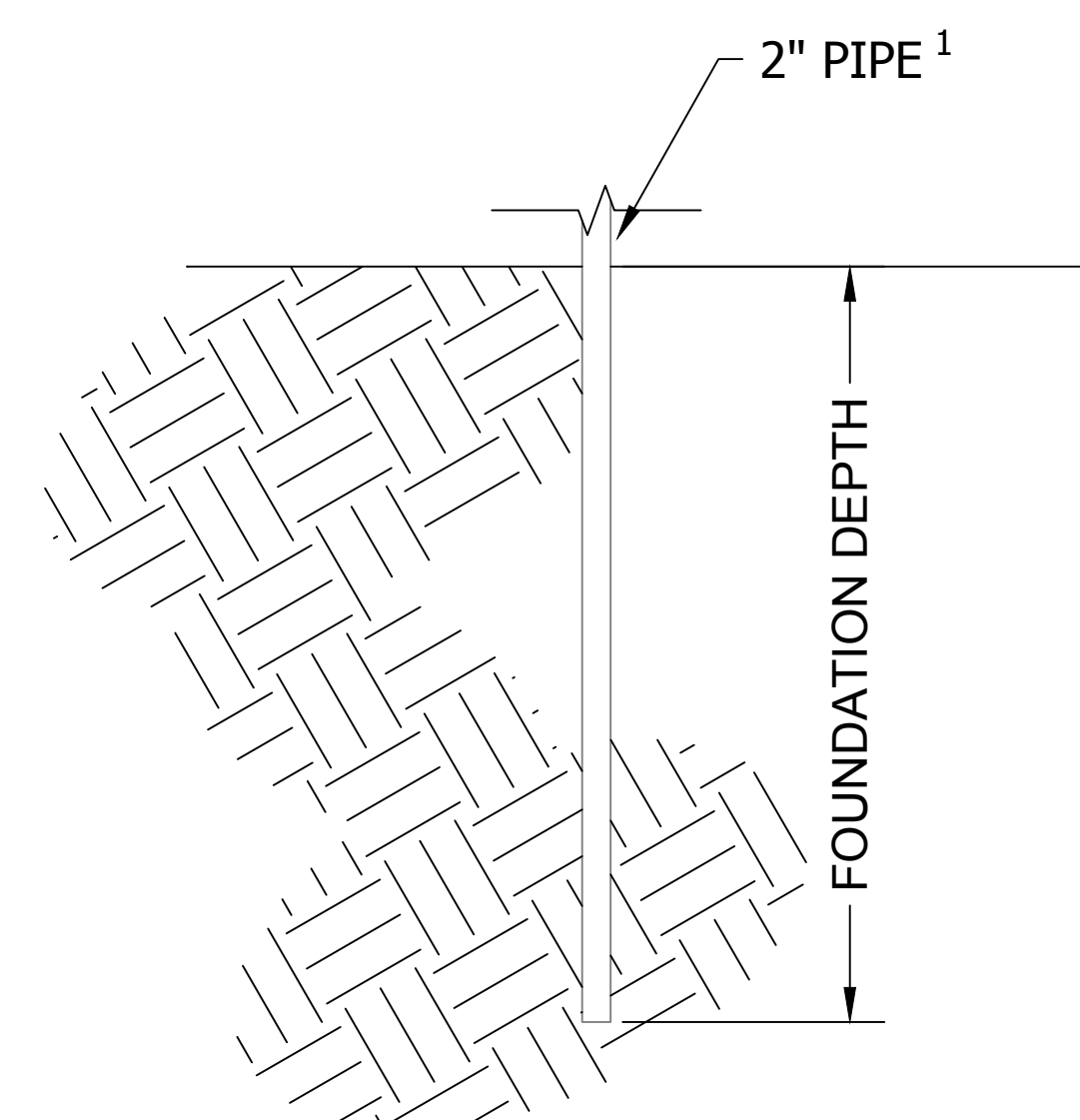
G DETAIL, END CLAMP PLAN
6"=1'-0"



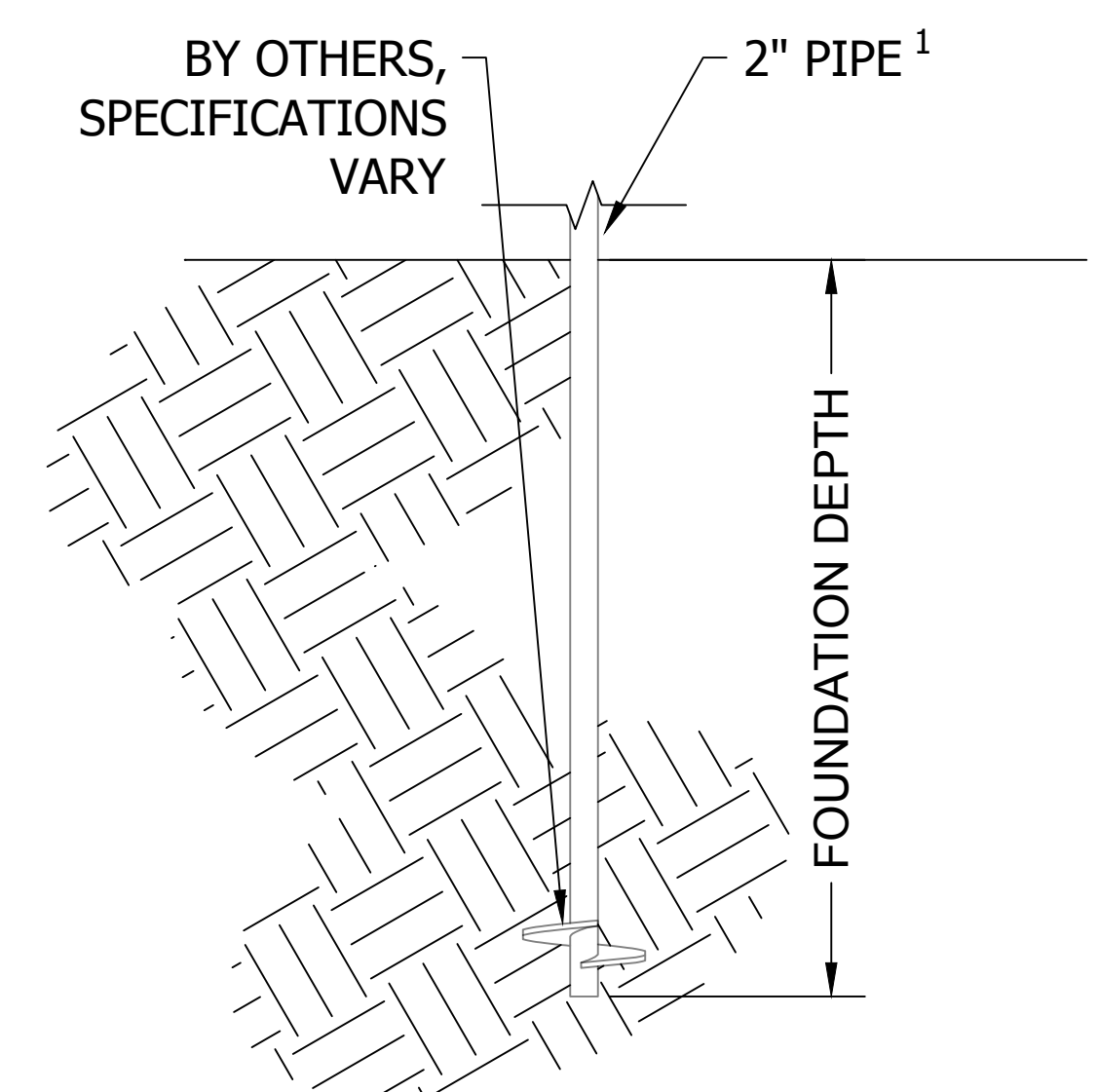
H DETAIL, END CLAMP FRONT
6"=1'-0"



J DRILL/POUR FOUNDATION
Scale: 3/4"=1'-0"



K DRIVEN PIER FOUNDATION
Scale: 3/4"=1'-0"

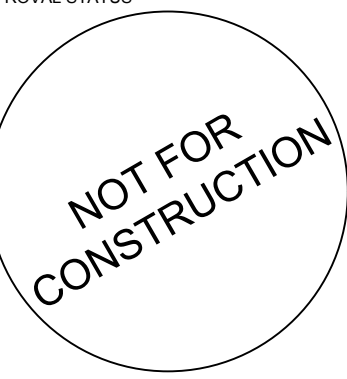


L HELICAL PILE FOUNDATION
Scale: 3/4"=1'-0"

CLIENT NAME	PROJECT NAME	PROJECT ADDRESS	SYSTEM KW DC
	GROUND MOUNT SYSTEM		

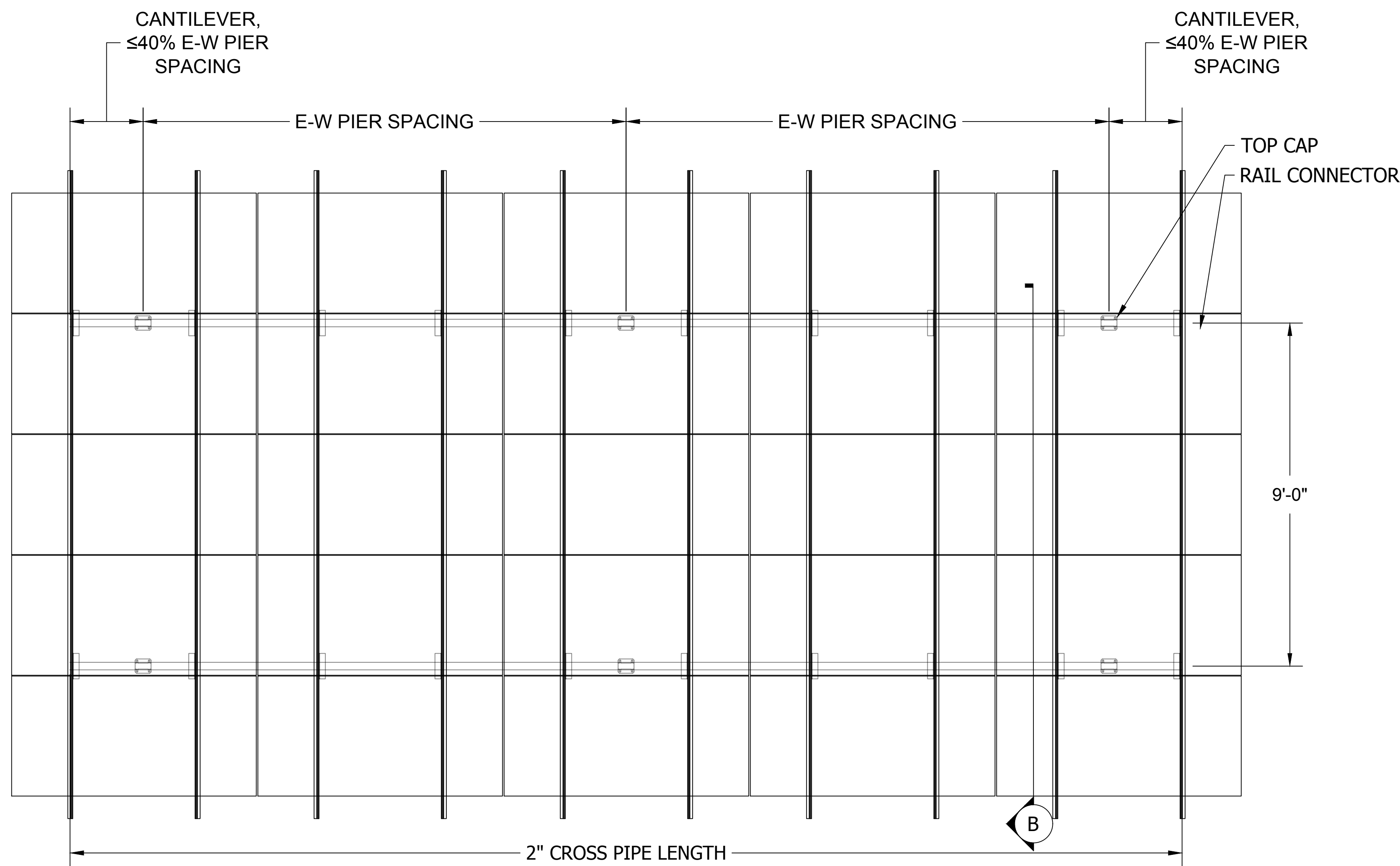
WIND SPEED, MPH	SNOW LOAD, PSF	EXPOSURE CAT	RISK CAT	MODULE TYPE	MODULE W DC	MODULE QTY
				72-CELL, GENERIC		

APPROVAL STATUS

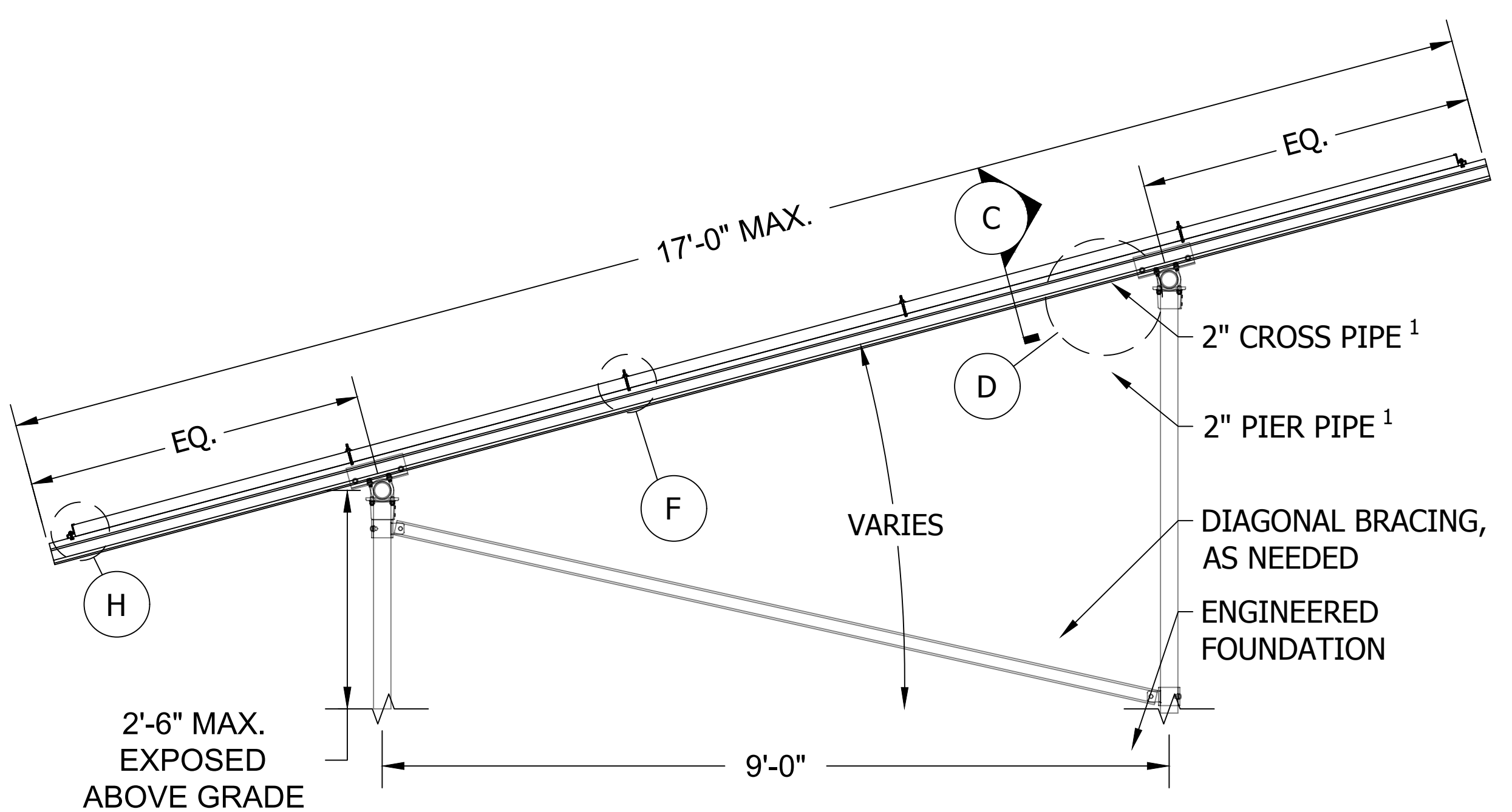


REV	DESCRIPTION	DATE

SHEET NAME	
PV SYSTEM DETAILS 4-UP 2"	
JOB NO.	2.09 GM
ISSUE DATE	XX NOV 2015
SHEET NO.	IR 2
SHEET SIZE	24X36

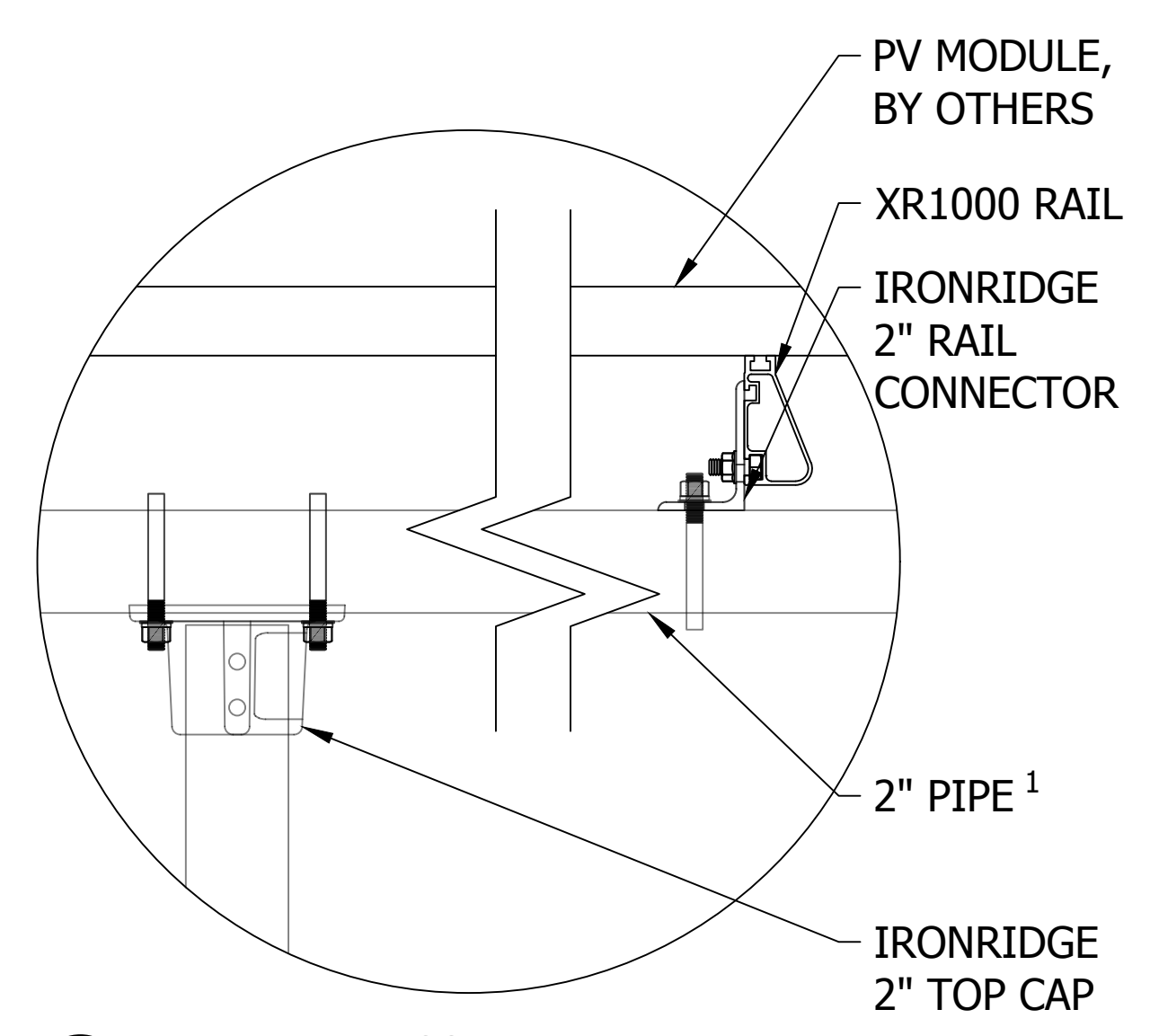


A 5-UP - PV SYSTEM PLAN DETAIL
Scale: 1/2"=1'-0"

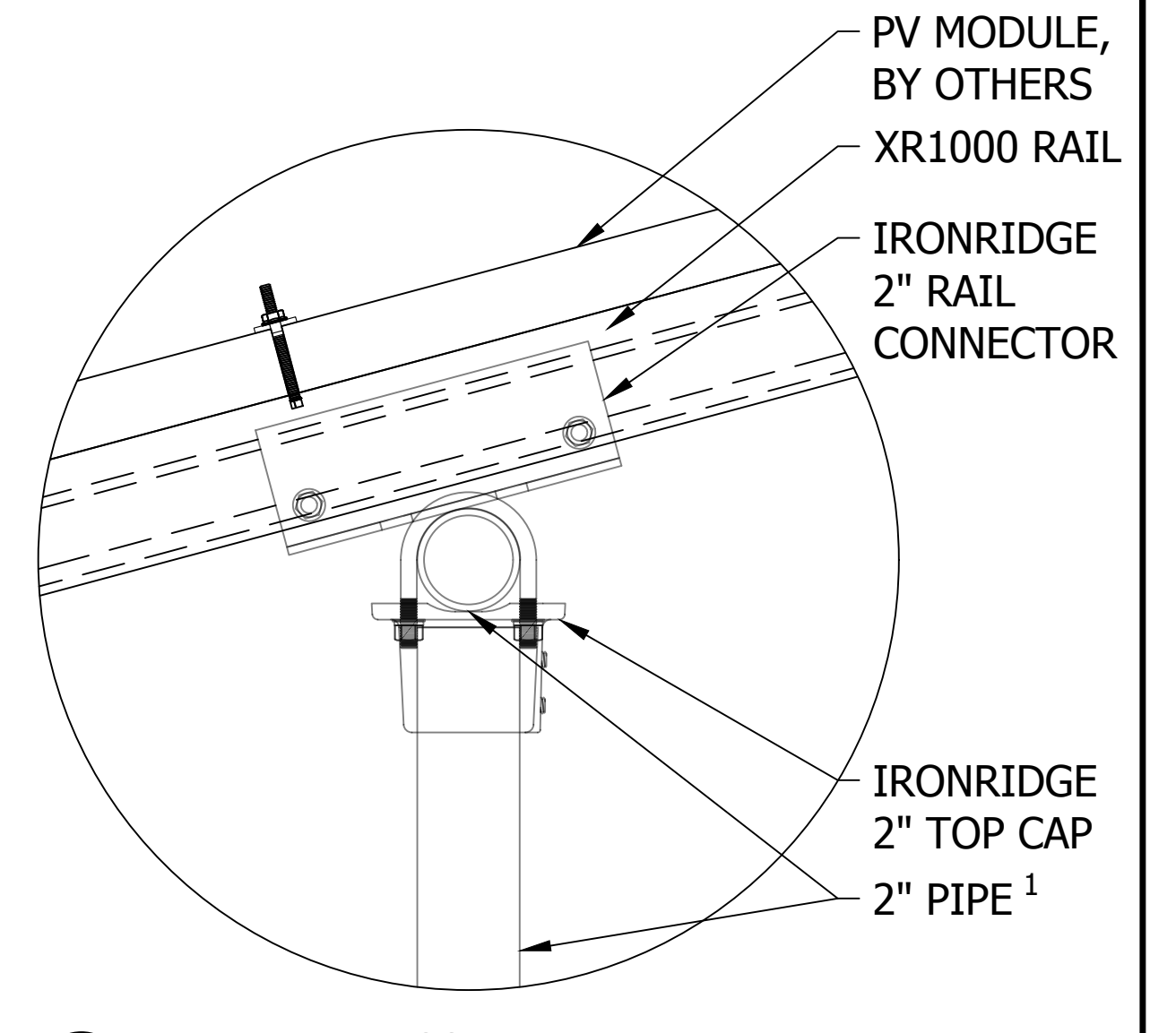


B 5-UP - PV SYSTEM SIDE SECTION
Scale: 3/4"=1'-0"

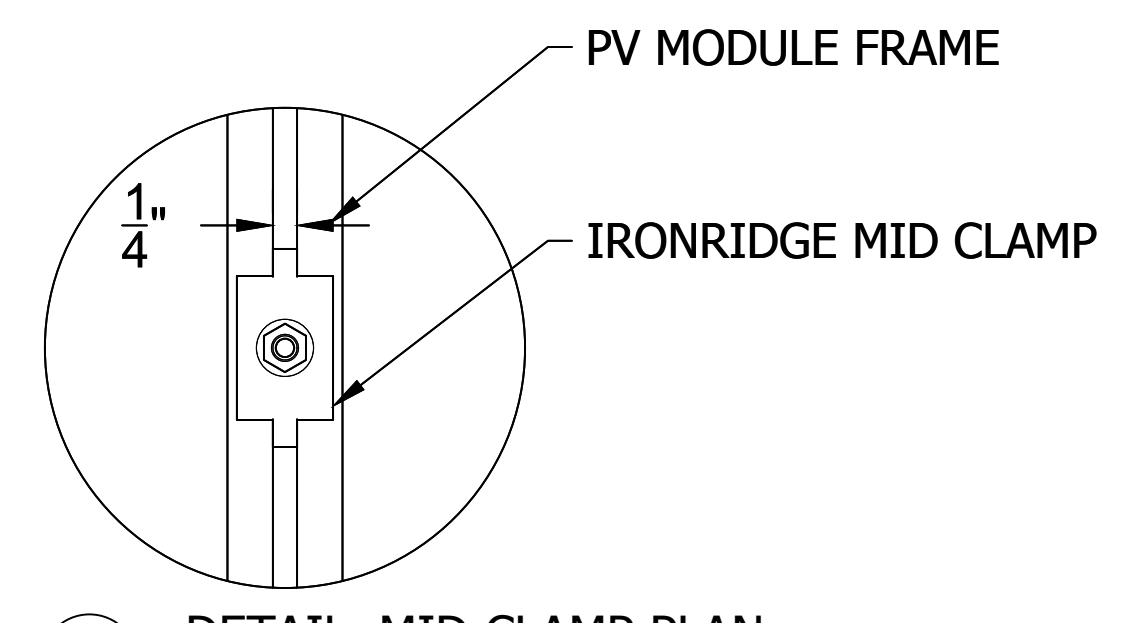
- SHEET NOTES**
1. SCHEDULE 40 PIPE OR ALLIED MECHANICAL TUBING (12GA WALL THICKNESS)
 2. URL: IRONRIDGE GROUND MOUNT INSTALL MANUAL
 3. URL: IRONRIDGE GROUND MOUNT ENGINEERING DESIGN GUIDE



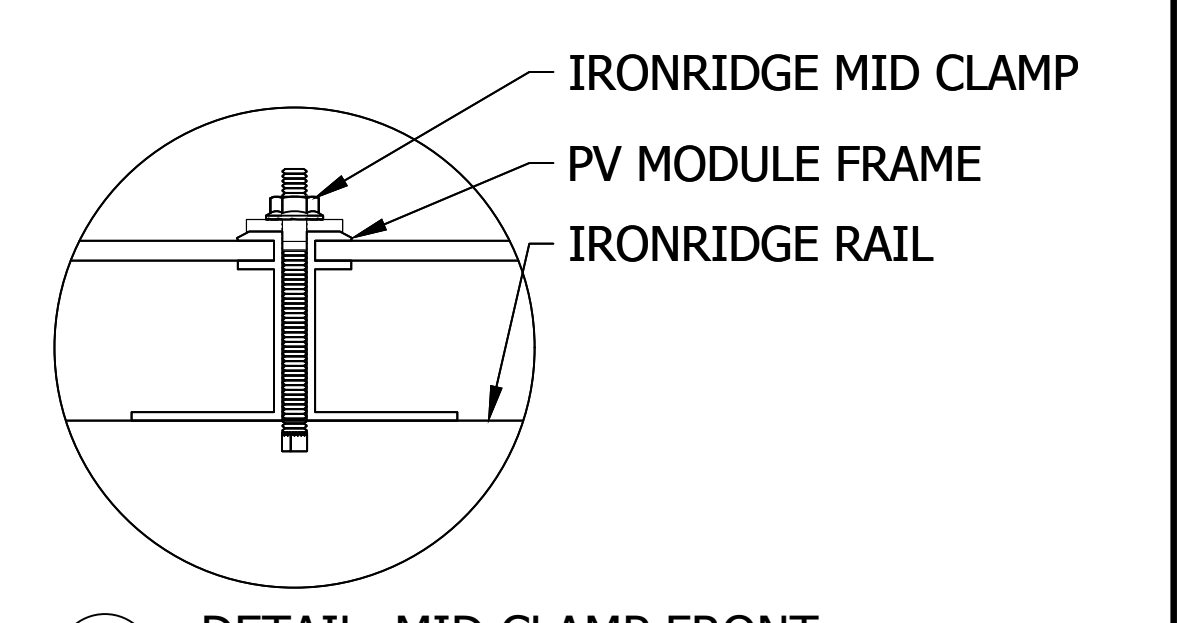
C PIPE FITTINGS DETAIL
3"=1'-0"



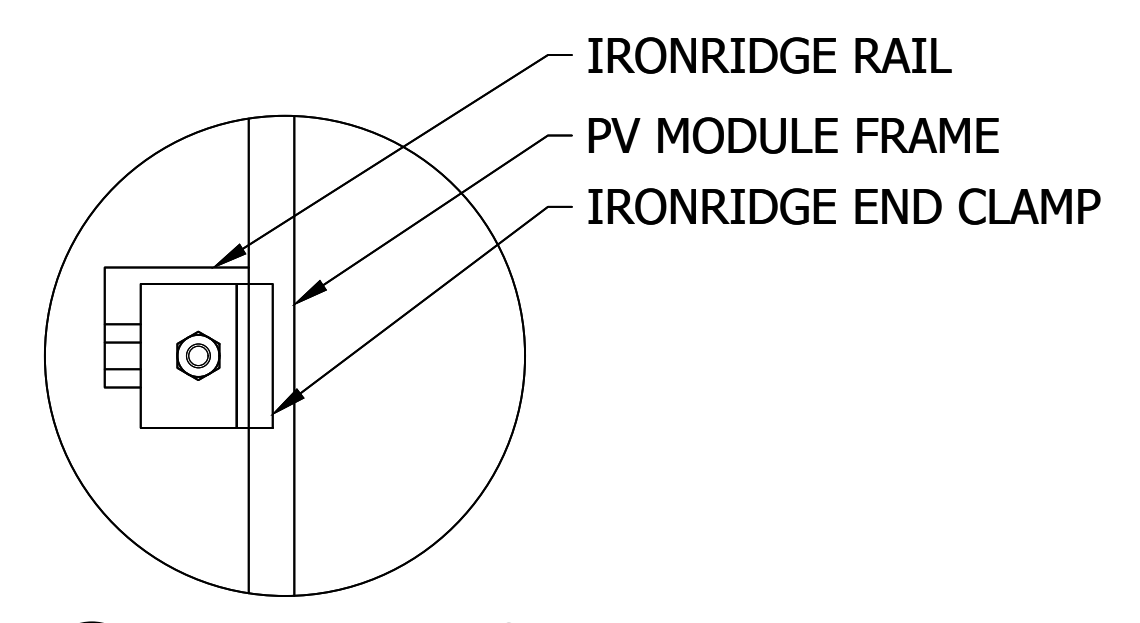
D PIPE FITTINGS DETAIL
3"=1'-0"



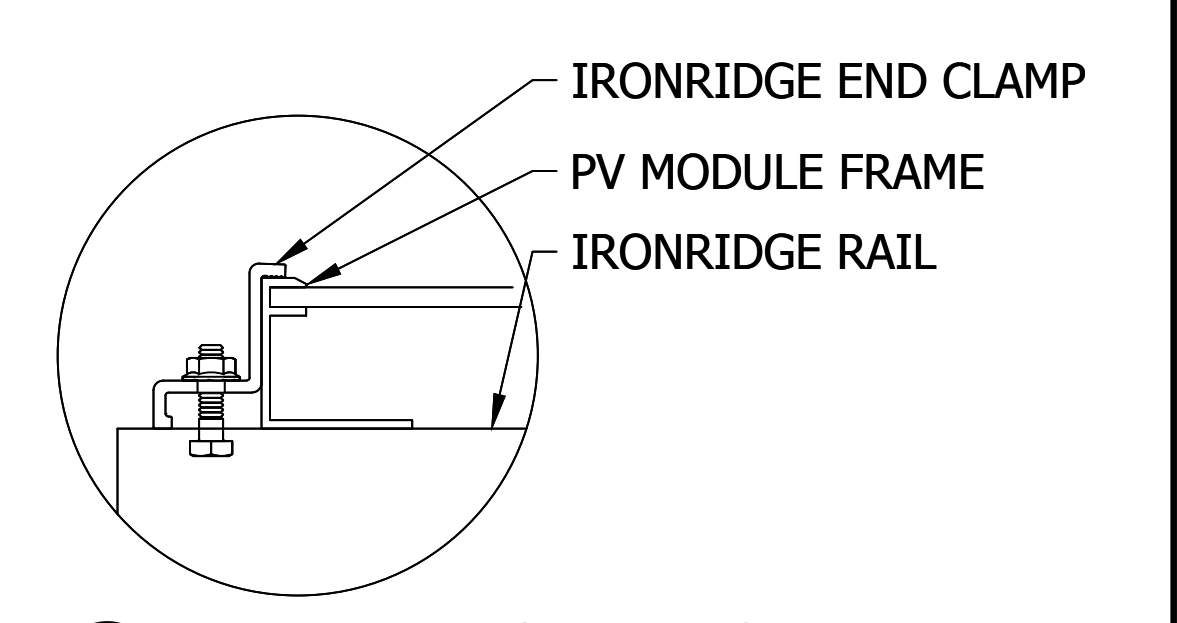
E DETAIL, MID CLAMP PLAN
6"=1'-0"



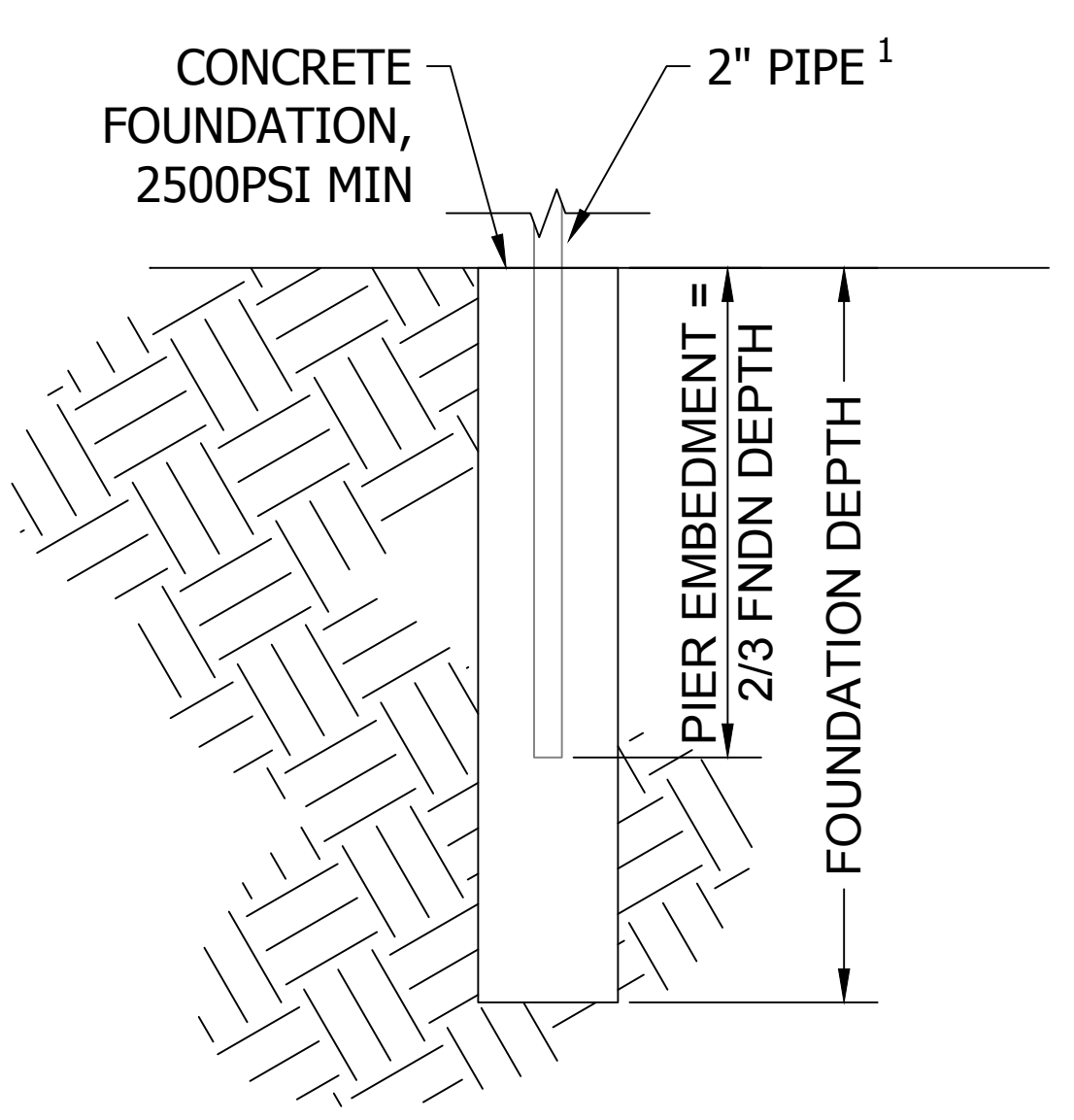
F DETAIL, MID CLAMP FRONT
6"=1'-0"



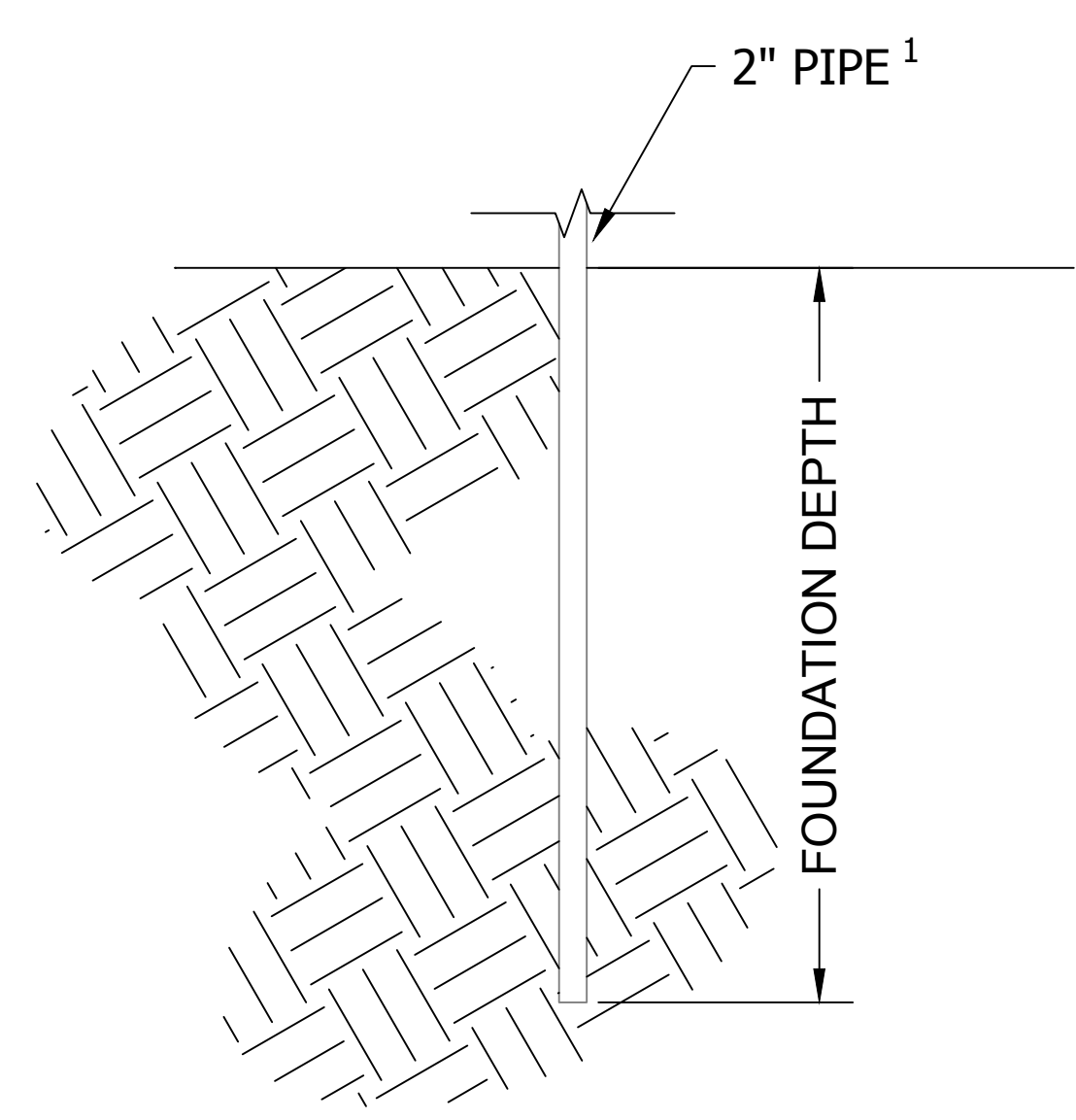
G DETAIL, END CLAMP PLAN
6"=1'-0"



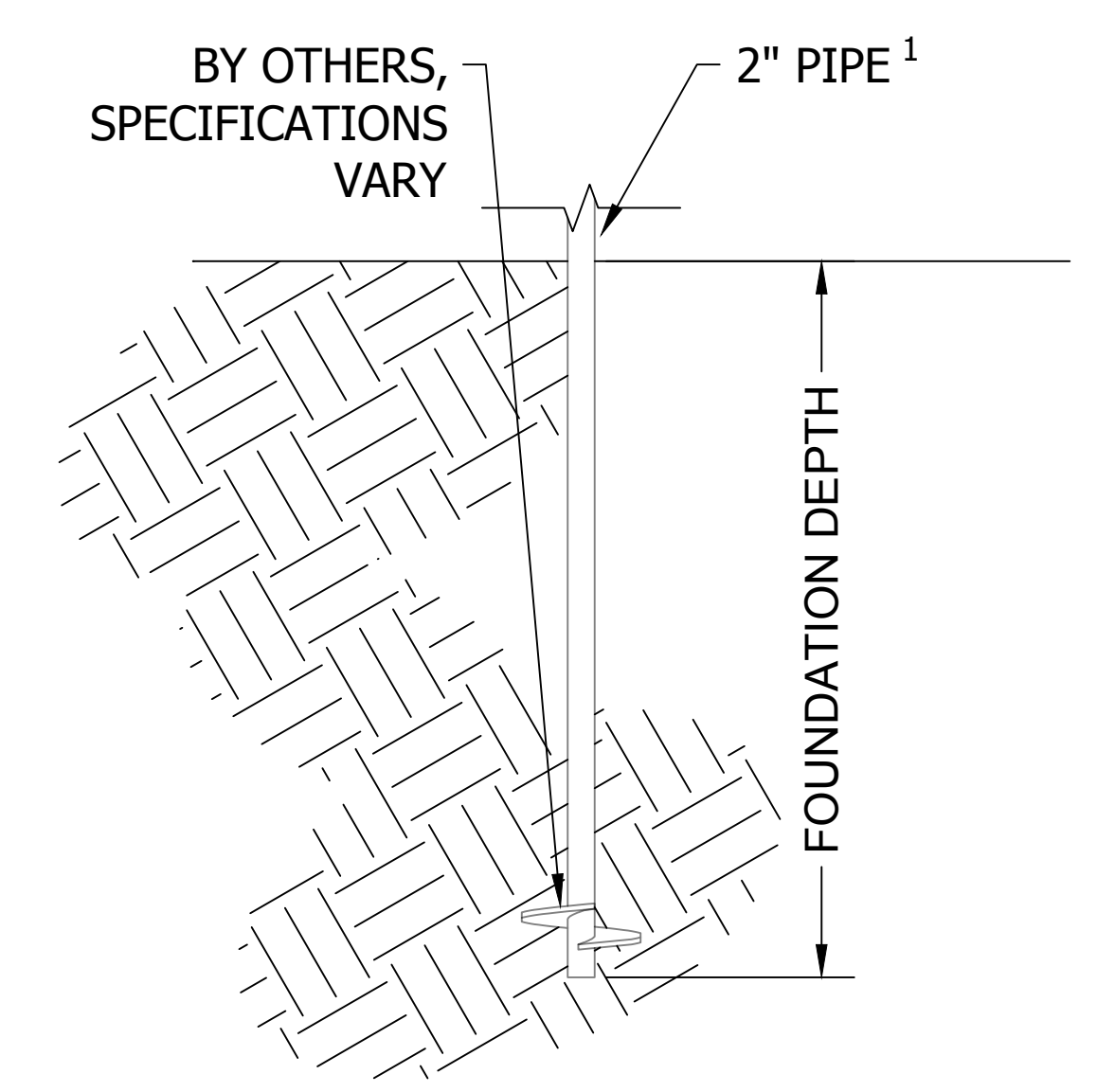
H DETAIL, END CLAMP FRONT
6"=1'-0"



J DRILL/POUR FOUNDATION
Scale: 3/4"=1'-0"



K DRIVEN PIER FOUNDATION
Scale: 3/4"=1'-0"



L HELICAL PILE FOUNDATION
Scale: 3/4"=1'-0"

IRONRIDGE		GROUND MOUNT SYSTEM	
CLIENT NAME	PROJECT NAME	PROJECT ADDRESS	SYSTEM KW DC

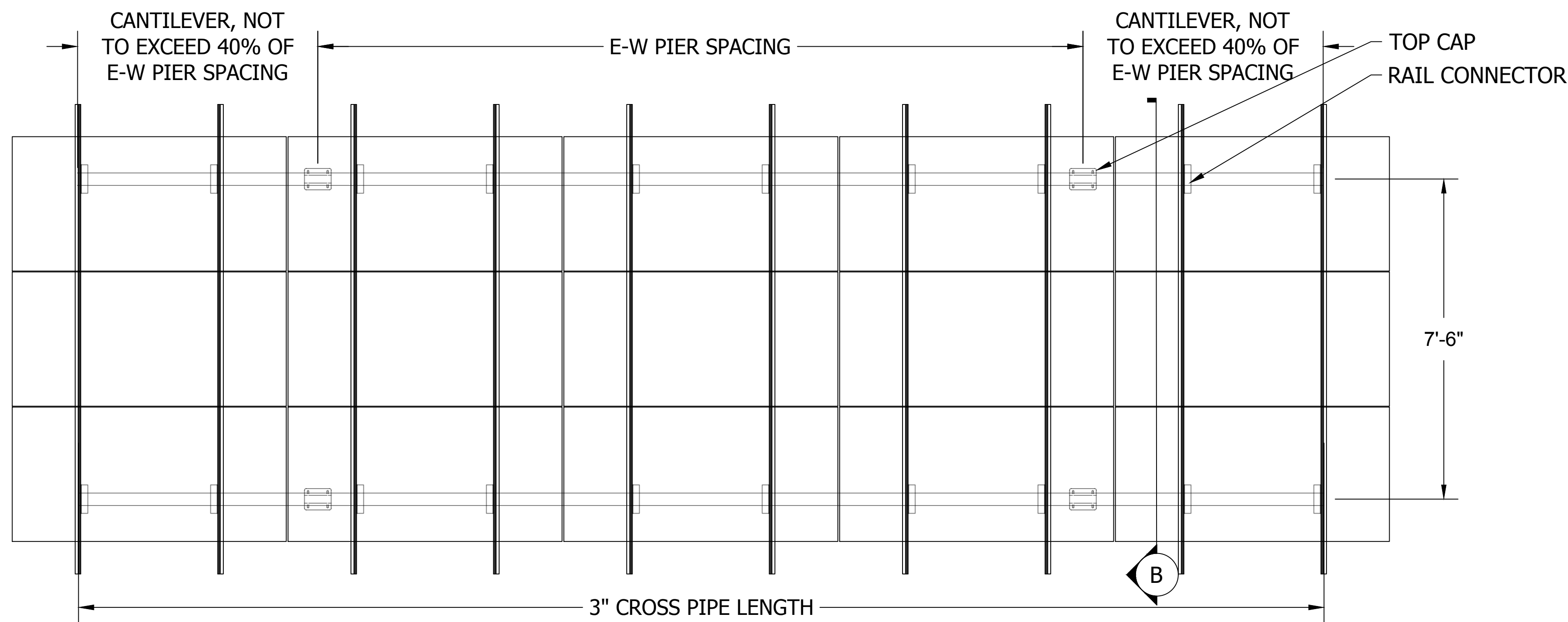
WIND SPEED, MPH	SNOW LOAD, PSF	EXPOSURE CAT	RISK CAT	MODULE TYPE	MODULE W DC	MODULE QTY
				72-CELL, GENERIC		

APPROVAL STATUS

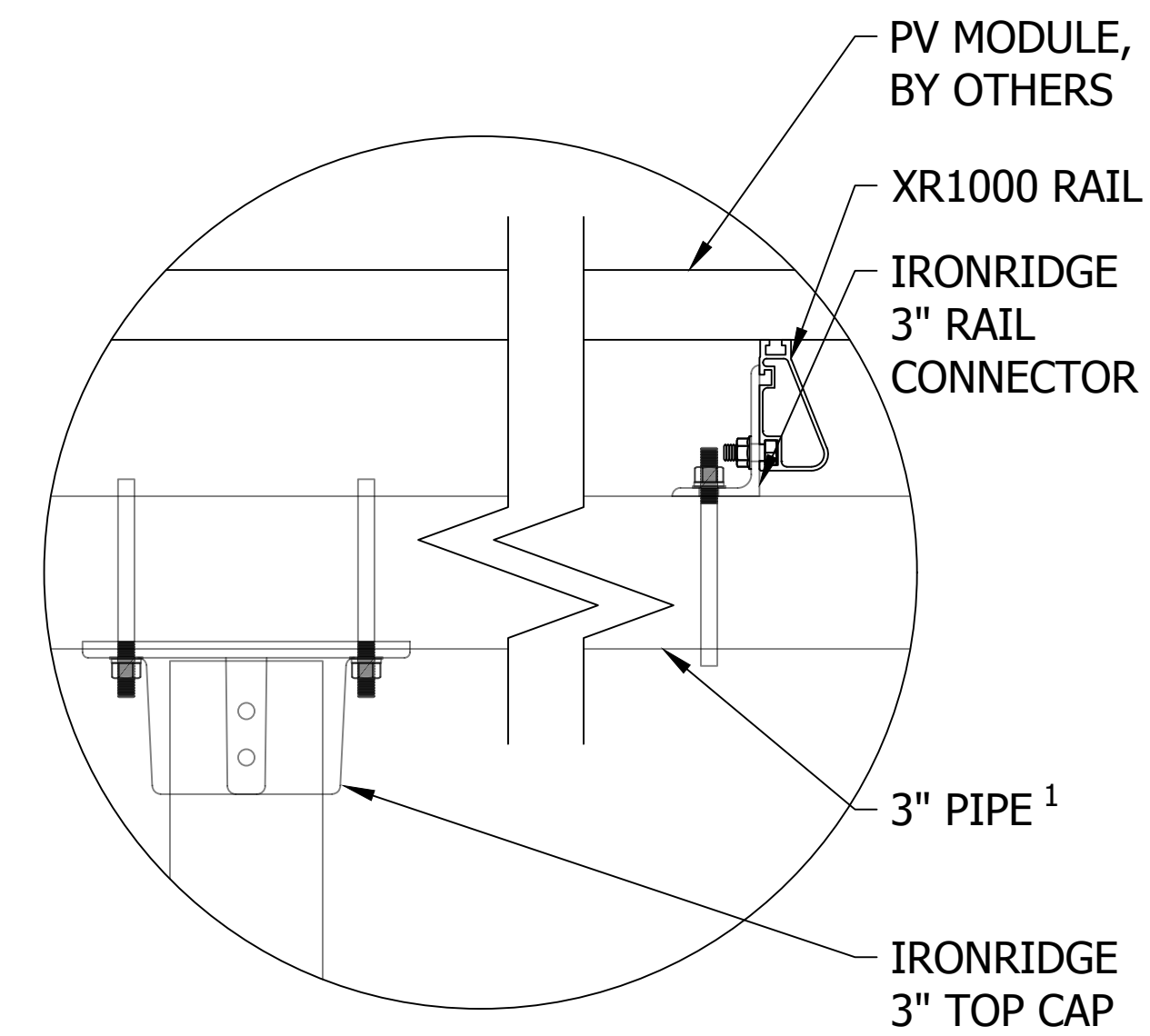
NOT FOR CONSTRUCTION

REV	DESCRIPTION	DATE

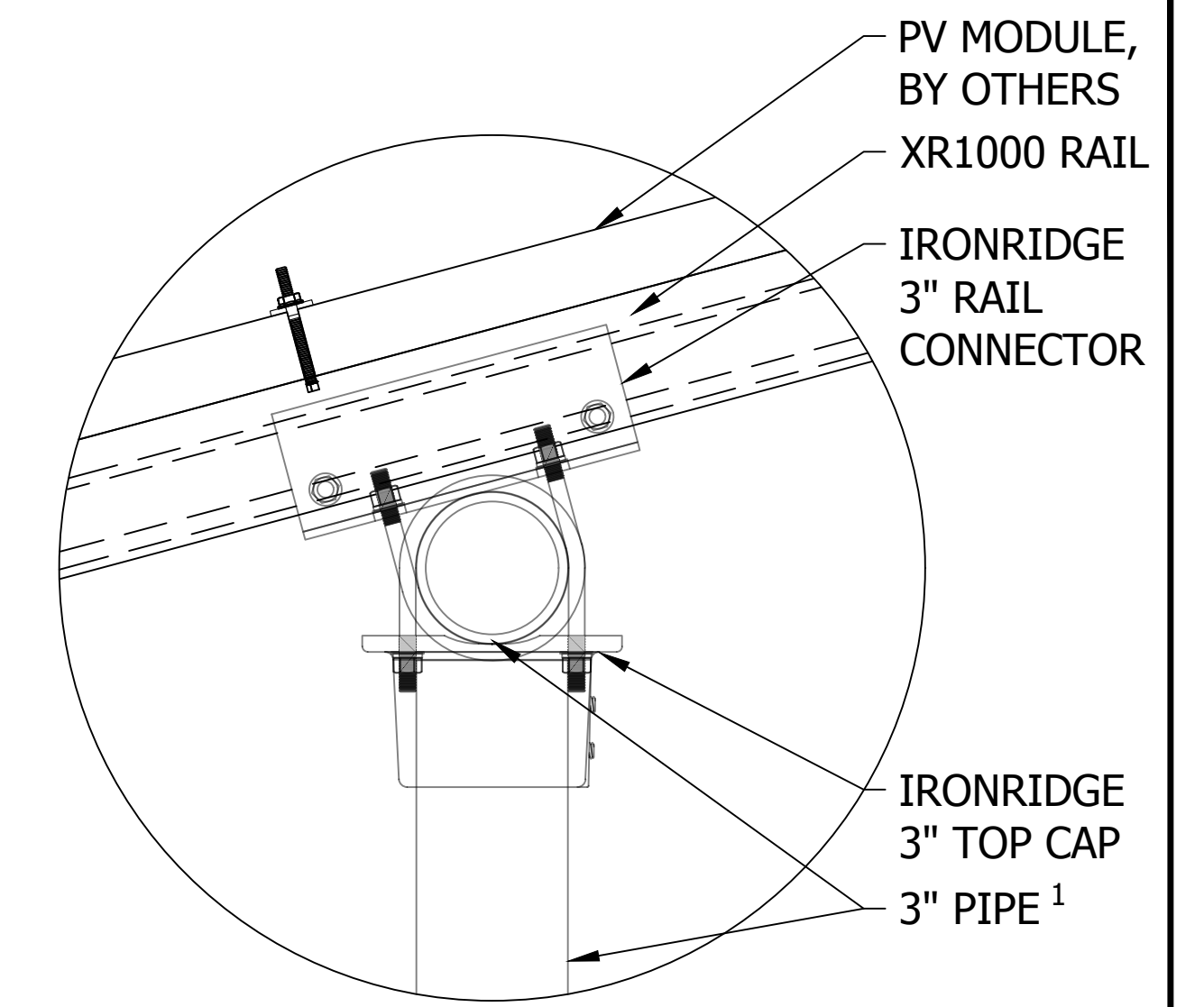
SHEET NAME	
PV SYSTEM DETAILS 5-UP 2"	
JOB NO.	2.09 GM
ISSUE DATE	XX NOV 2015
SHEET NO.	IR 3
SHEET SIZE	24X36



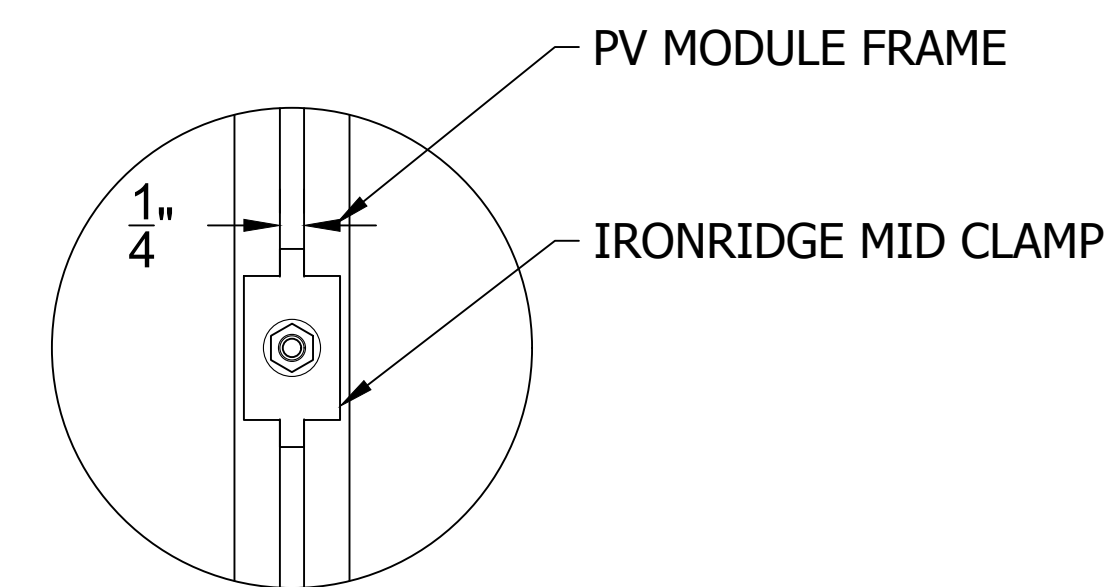
A 3-UP - PV SYSTEM PLAN DETAIL
Scale: 1/2"=1'-0"



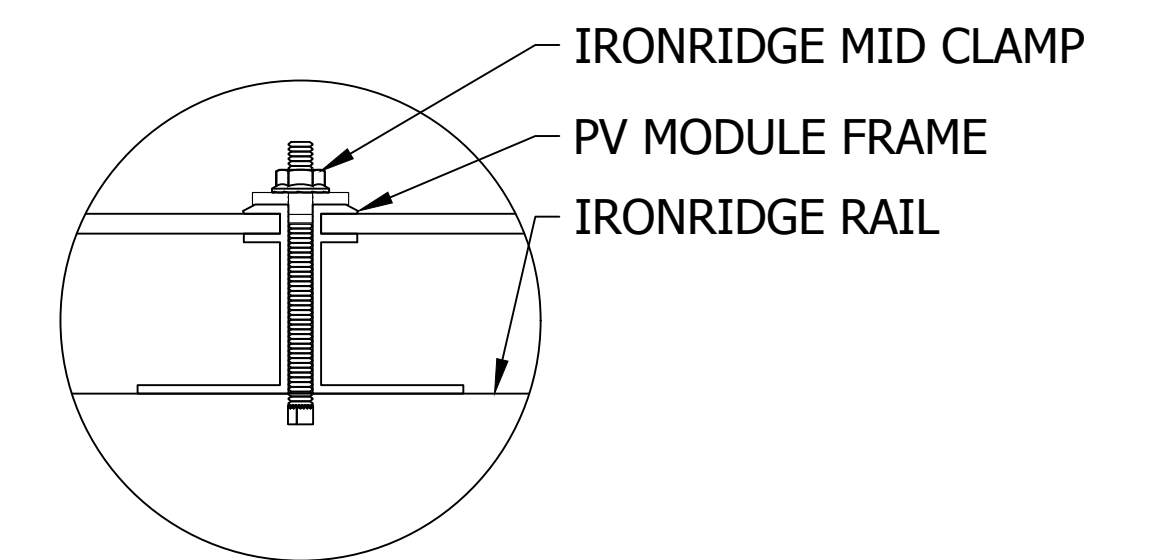
C PIPE FITTINGS DETAIL
3"=1'-0"



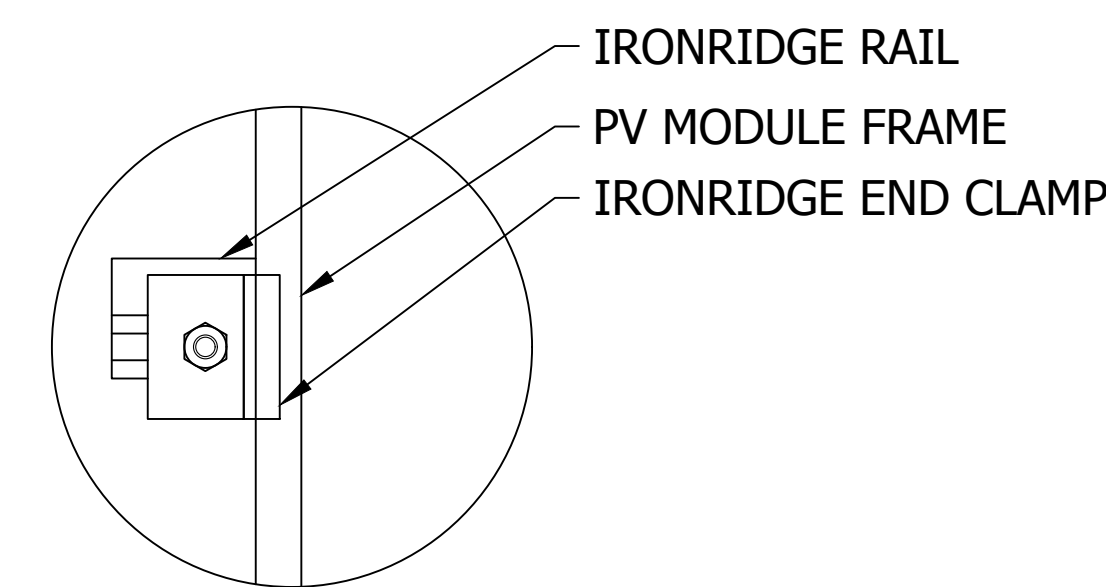
D PIPE FITTINGS DETAIL
3"=1'-0"



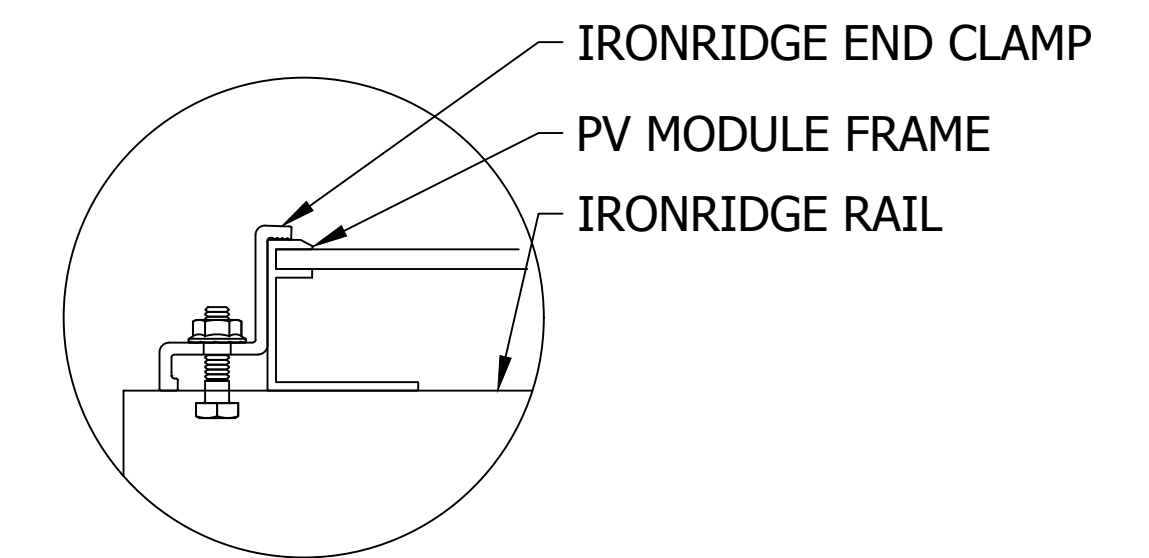
E DETAIL, MID CLAMP PLAN
6"=1'-0"



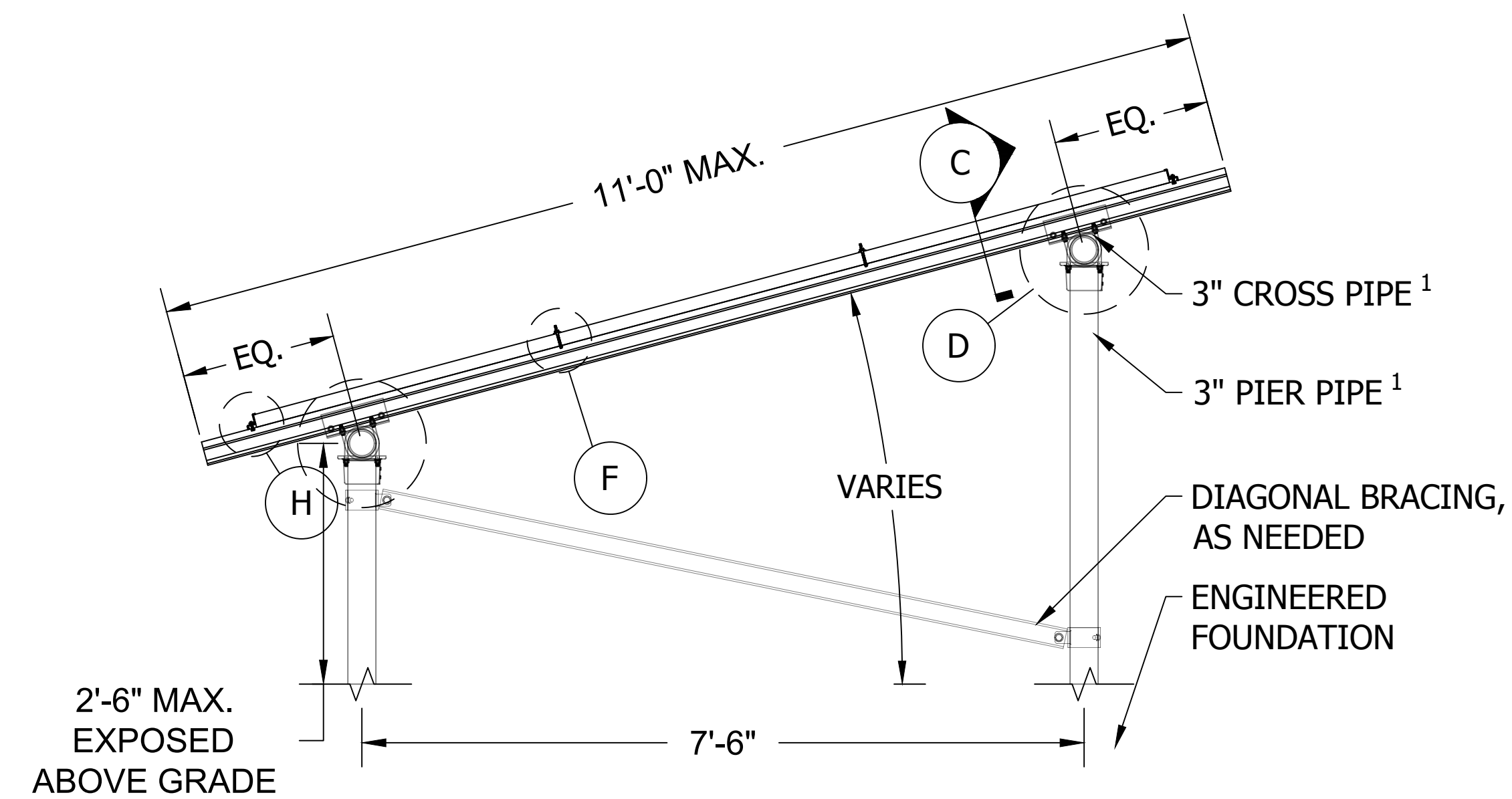
F DETAIL, MID CLAMP FRONT
6"=1'-0"



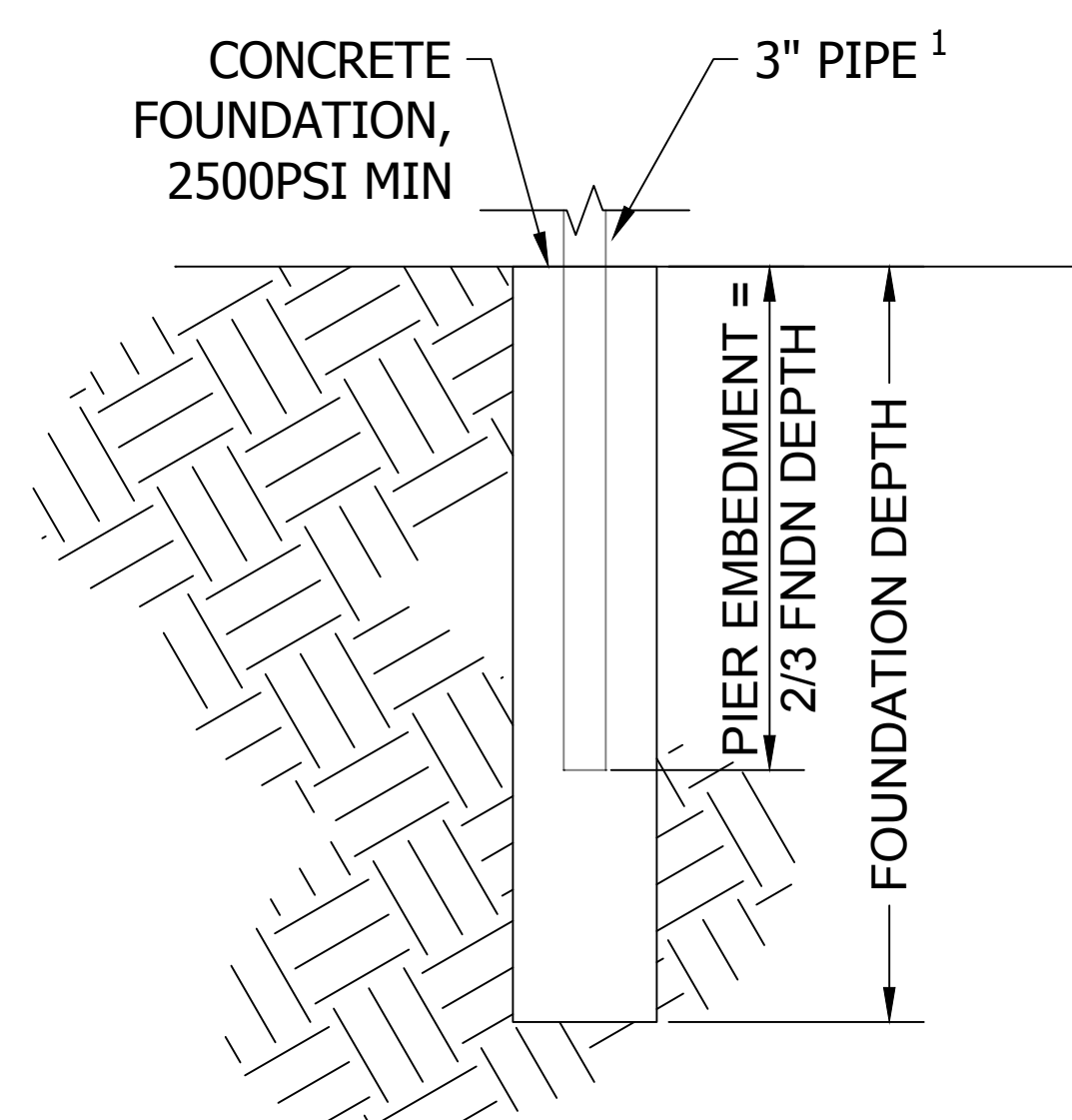
G DETAIL, END CLAMP PLAN
6"=1'-0"



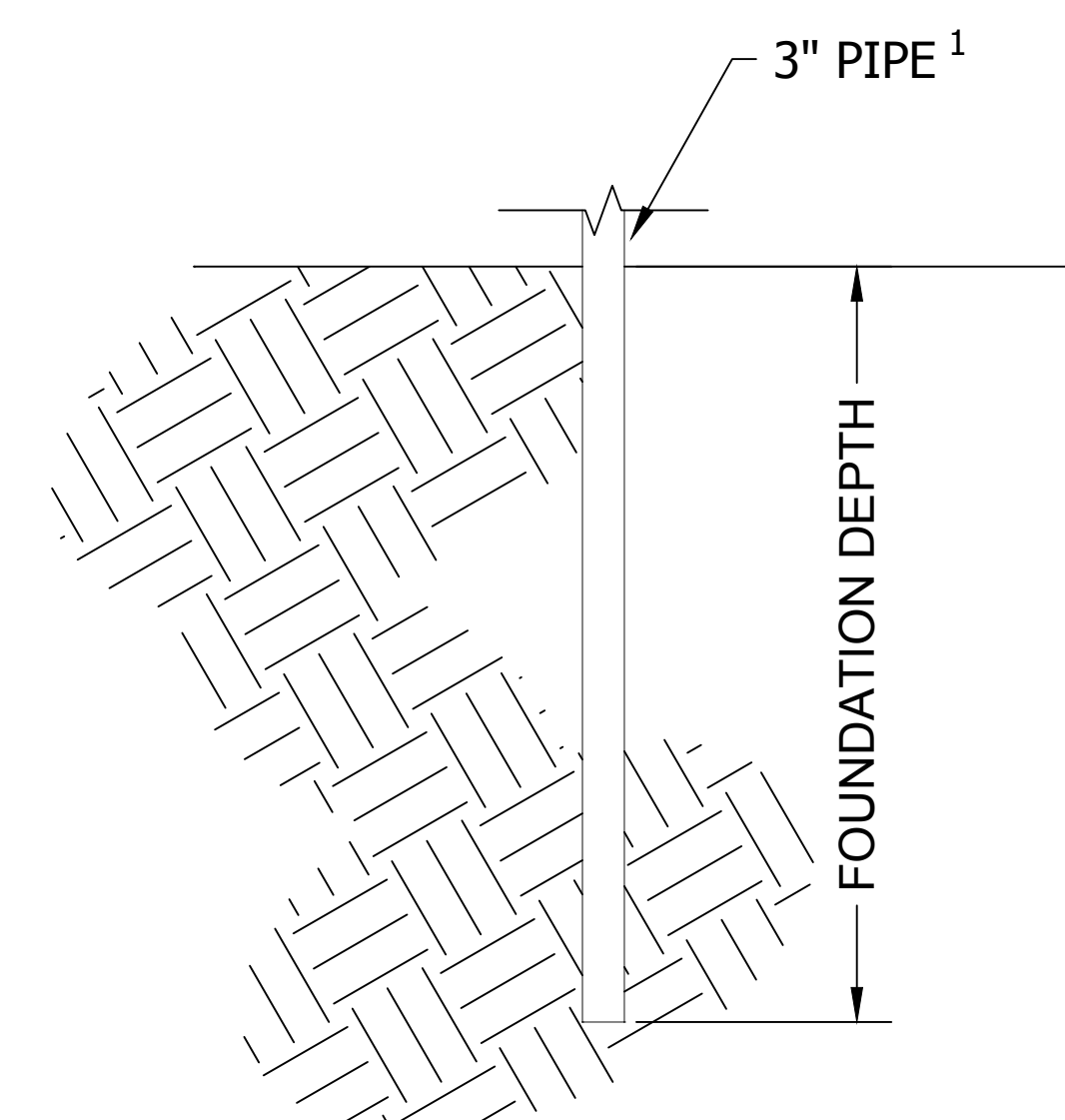
H DETAIL, END CLAMP FRONT
6"=1'-0"



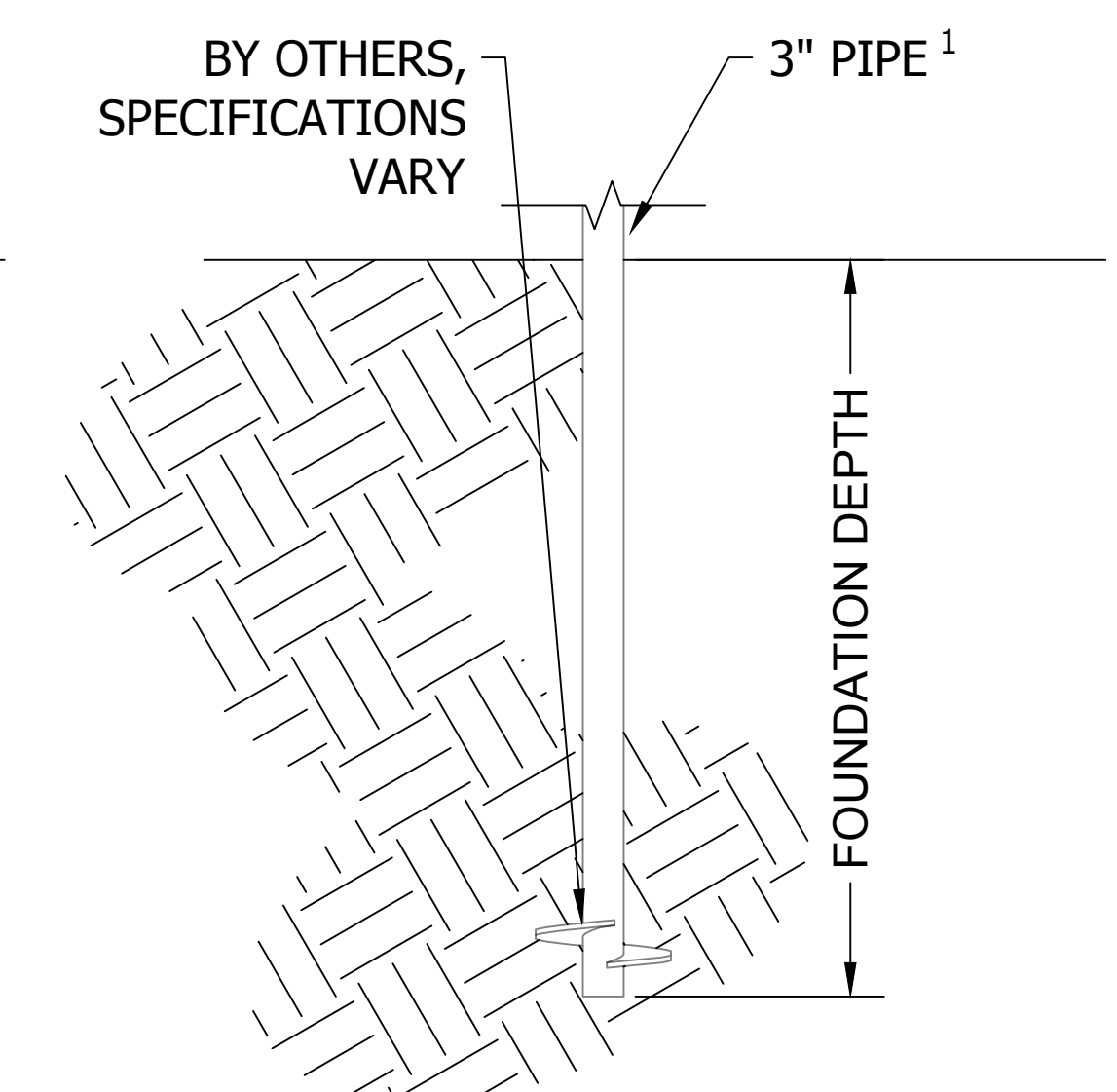
B 3-UP - PV SYSTEM SIDE SECTION
Scale: 3/4"=1'-0"



J DRILL/POUR FOUNDATION
Scale: 3/4"=1'-0"



K DRIVEN PIER FOUNDATION
Scale: 3/4"=1'-0"



L HELICAL PILE FOUNDATION
Scale: 3/4"=1'-0"

- SHEET NOTES**
1. SCHEDULE 40 PIPE OR ALLIED MECHANICAL TUBING (8GA WALL THICKNESS)
 2. URL: IRONRIDGE GROUND MOUNT INSTALL MANUAL
 3. URL: IRONRIDGE GROUND MOUNT ENGINEERING DESIGN GUIDE

IRONRIDGE	GROUND MOUNT SYSTEM
CLIENT NAME	PROJECT NAME
	PROJECT ADDRESS
	SYSTEM KW DC

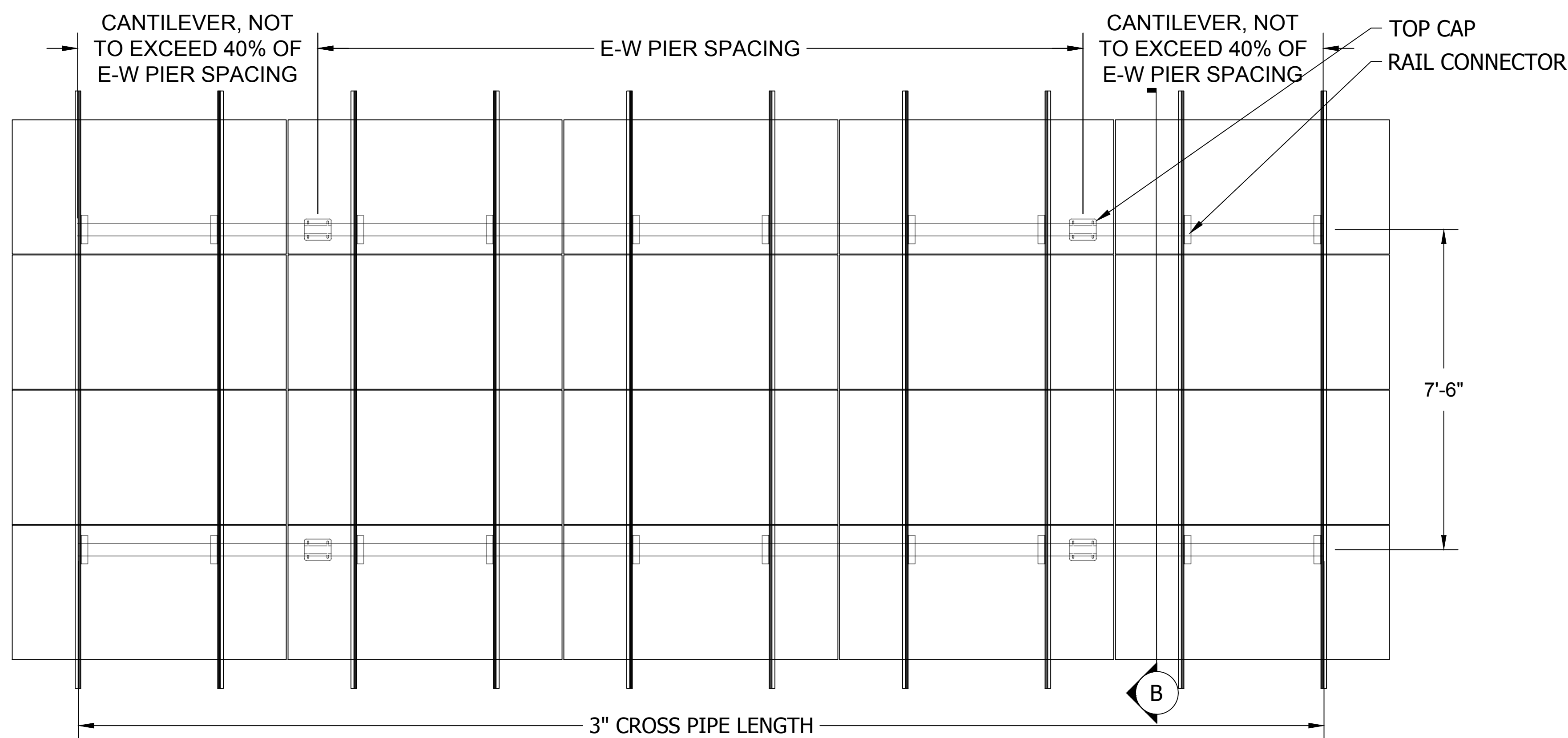
WIND SPEED, MPH	72-CELL, GENERIC
SNOW LOAD, PSF	MODULE W DC
EXPOSURE CAT	MODULE QTY
RISK CAT	
MODULE TYPE	

APPROVAL STATUS

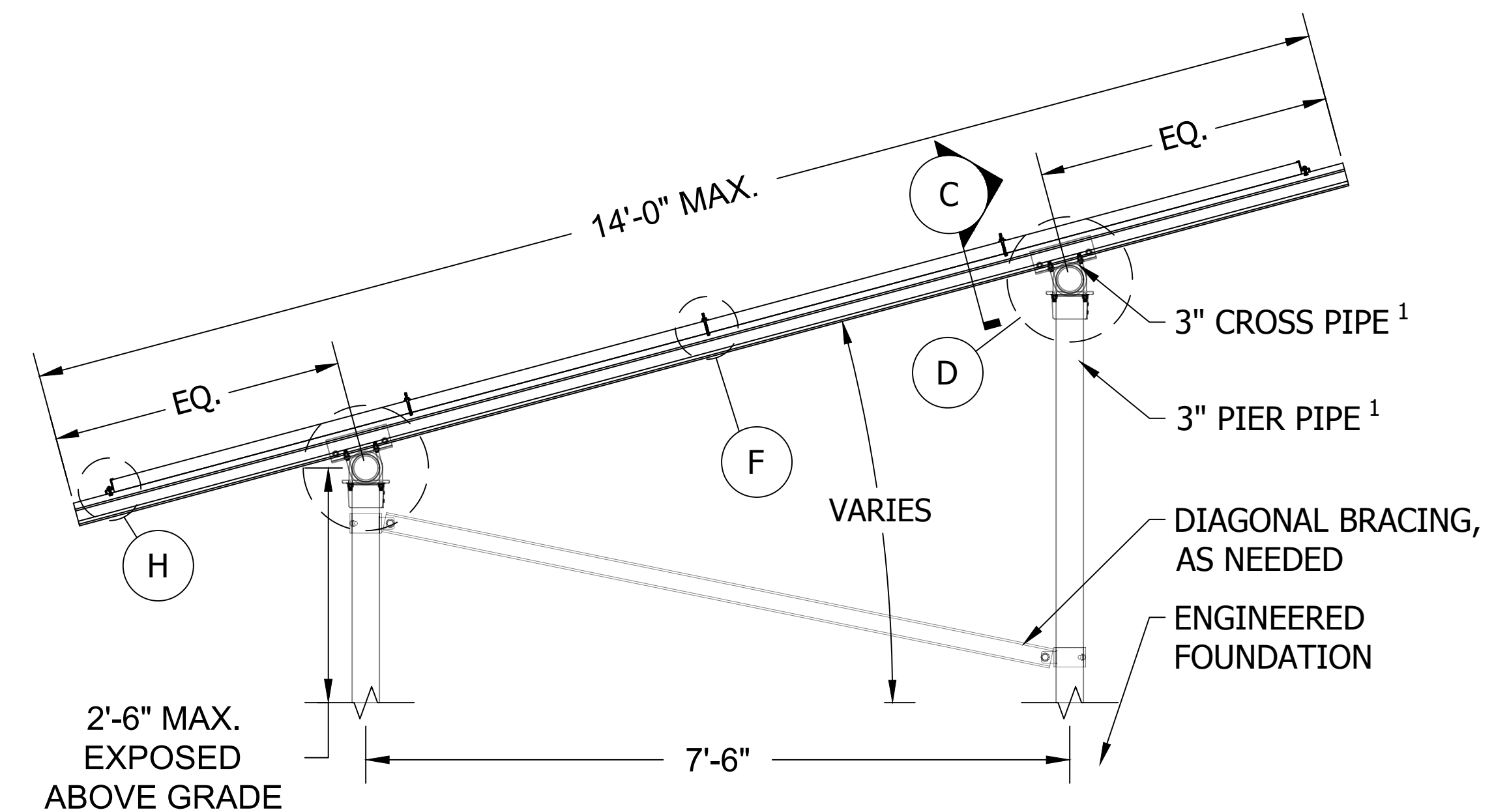
NOT FOR CONSTRUCTION

REV	DESCRIPTION	DATE

SHEET NAME	
PV SYSTEM DETAILS 3-UP 3"	
JOB NO.	2.09 GM
ISSUE DATE	XX NOV 2015
SHEET NO.	IR 4
SHEET SIZE	24X36

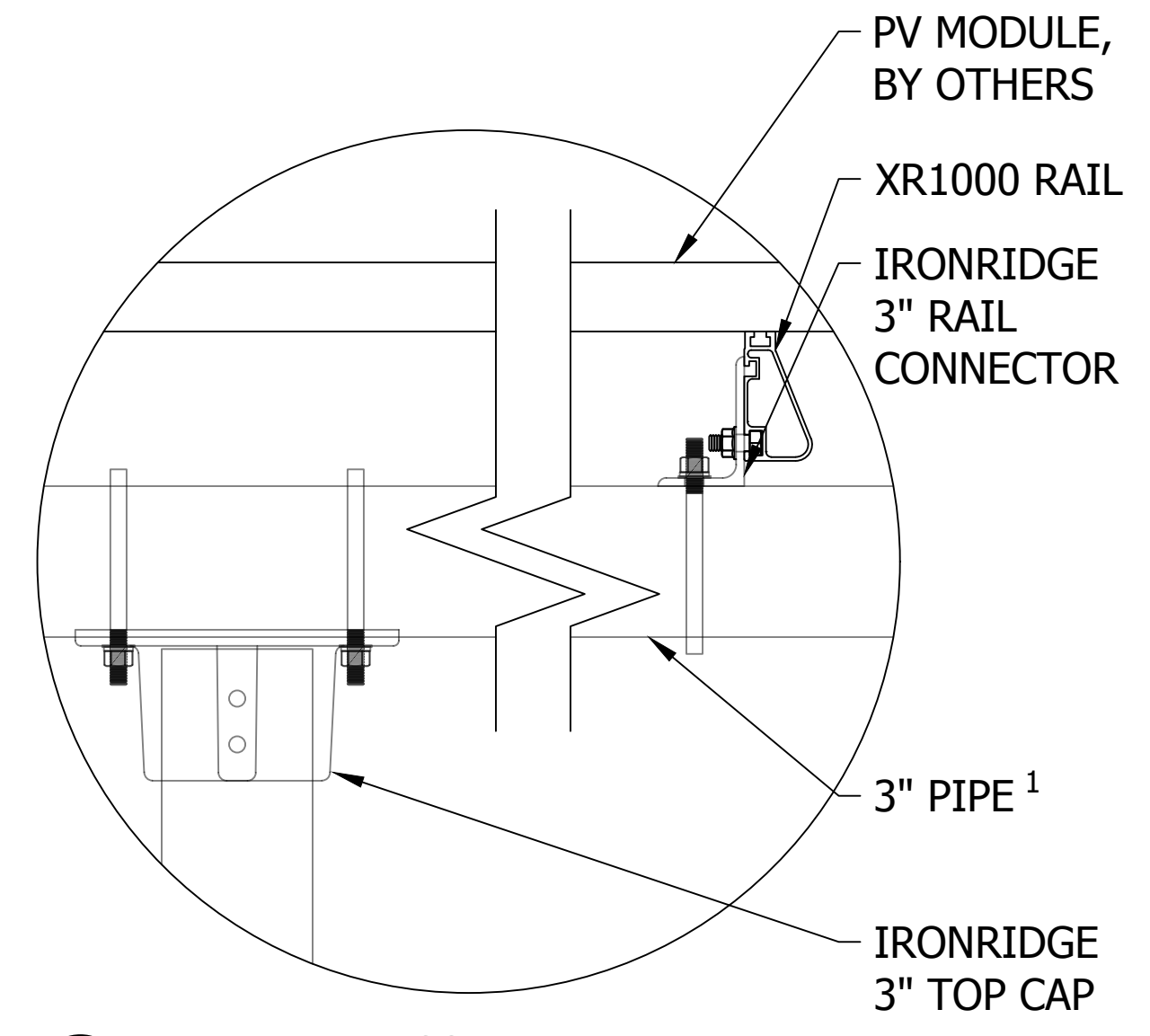


A 4-UP - PV SYSTEM PLAN DETAIL
Scale: 1/2"=1'-0"

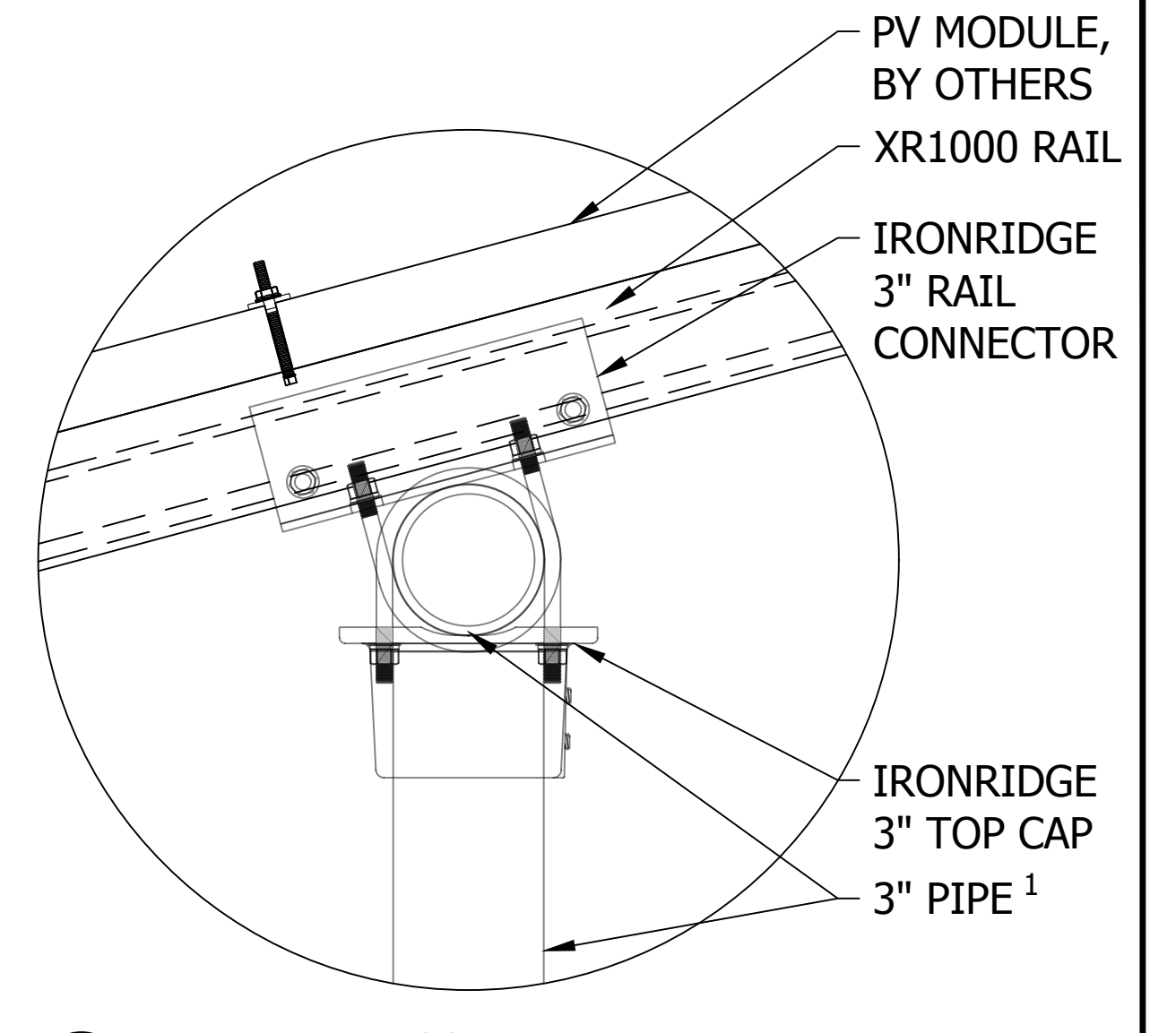


B 4-UP - PV SYSTEM SIDE SECTION
Scale: 3/4"=1'-0"

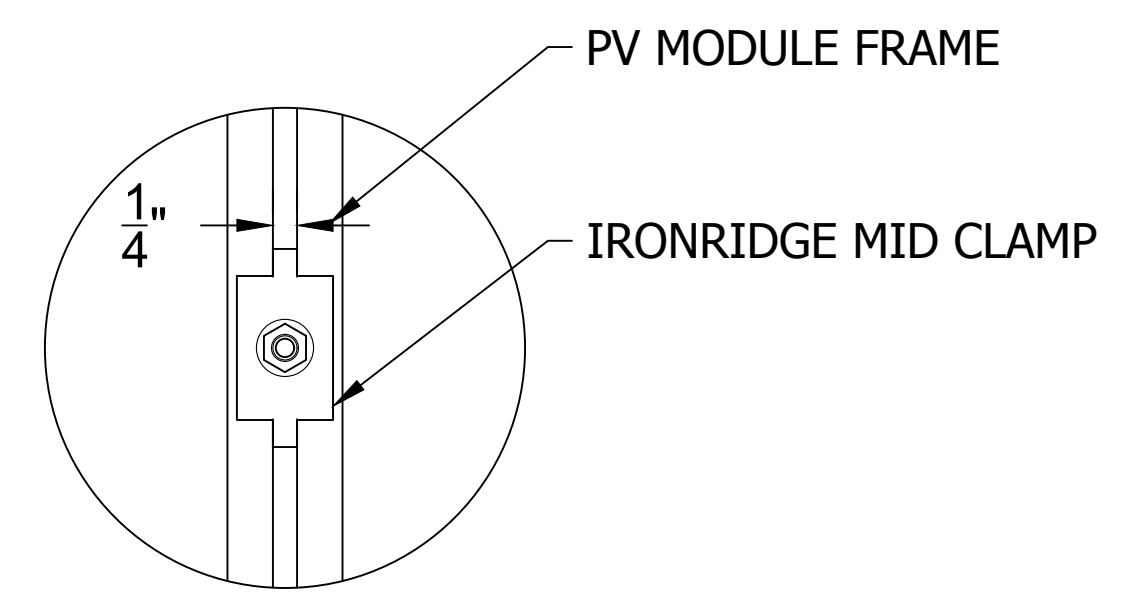
- SHEET NOTES**
- SCHEDULE 40 PIPE OR ALLIED MECHANICAL TUBING (8GA WALL THICKNESS)
 - URL: IRONRIDGE GROUND MOUNT INSTALL MANUAL
 - URL: IRONRIDGE GROUND MOUNT ENGINEERING DESIGN GUIDE



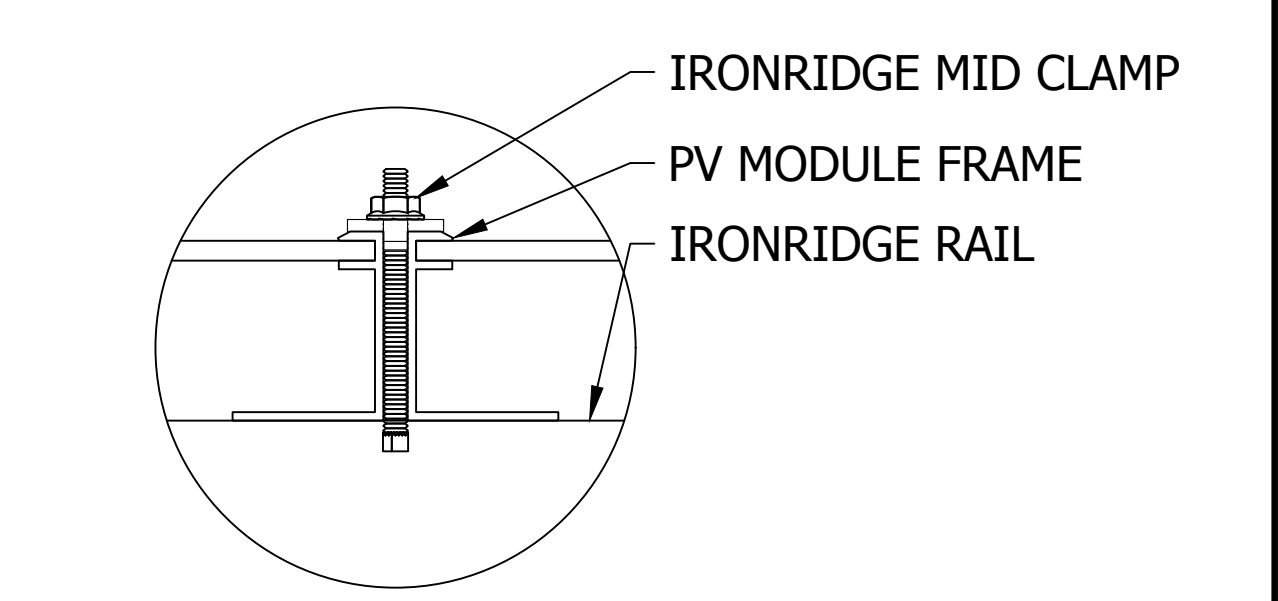
C PIPE FITTINGS DETAIL
3"=1'-0"



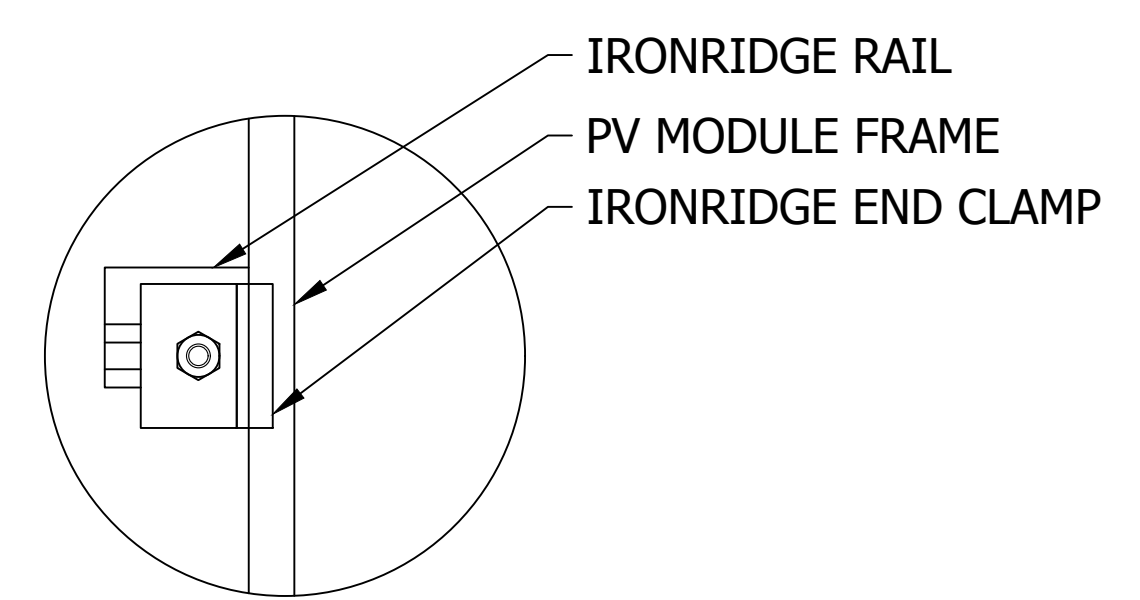
D PIPE FITTINGS DETAIL
3"=1'-0"



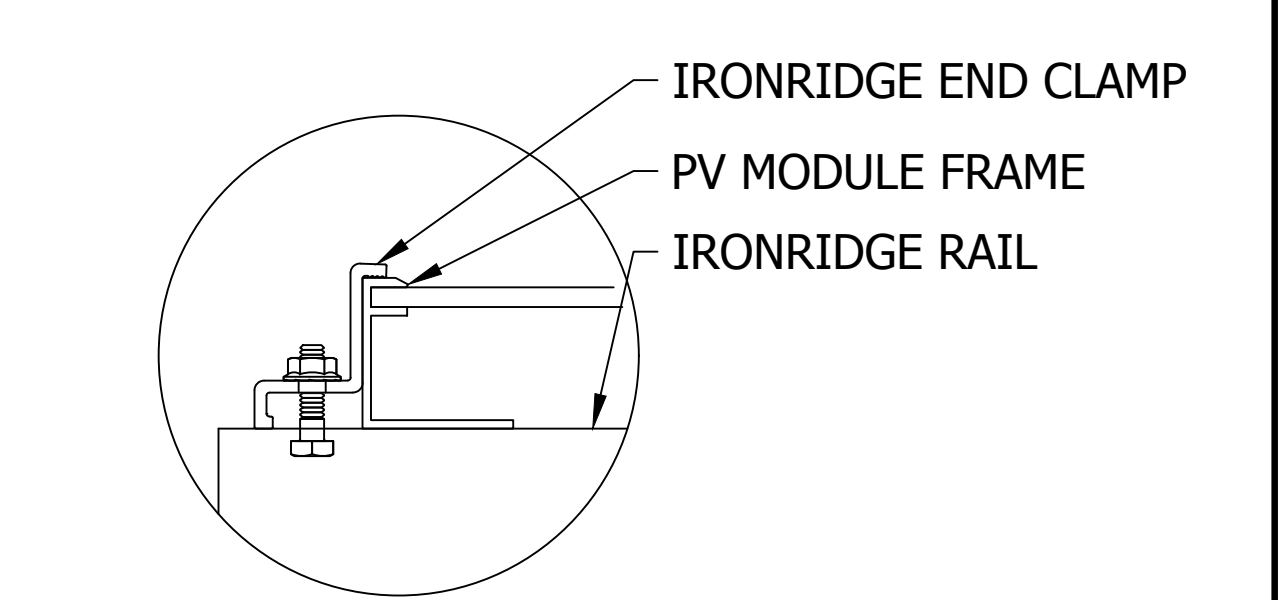
E DETAIL, MID CLAMP PLAN
6"=1'-0"



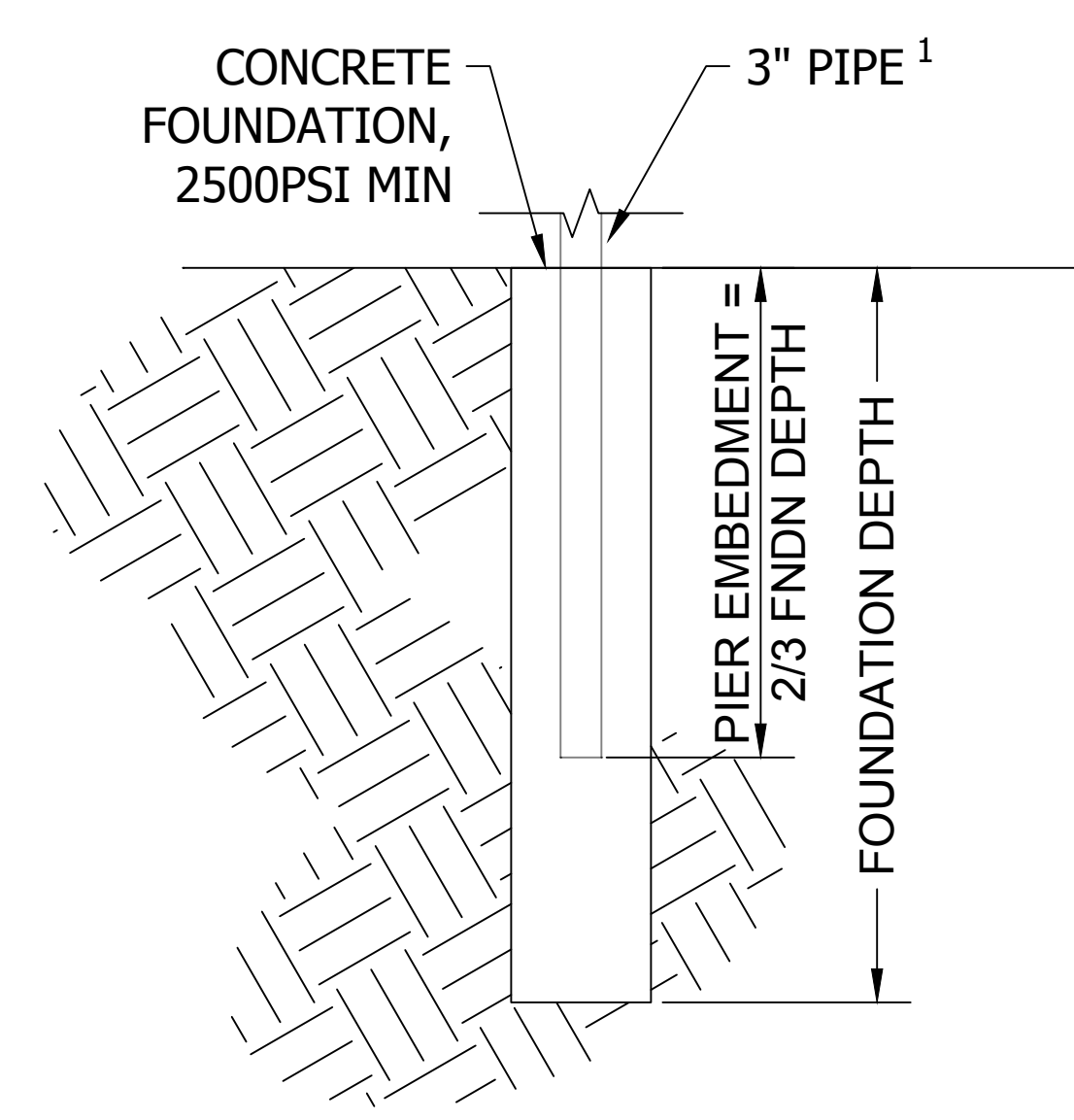
F DETAIL, MID CLAMP FRONT
6"=1'-0"



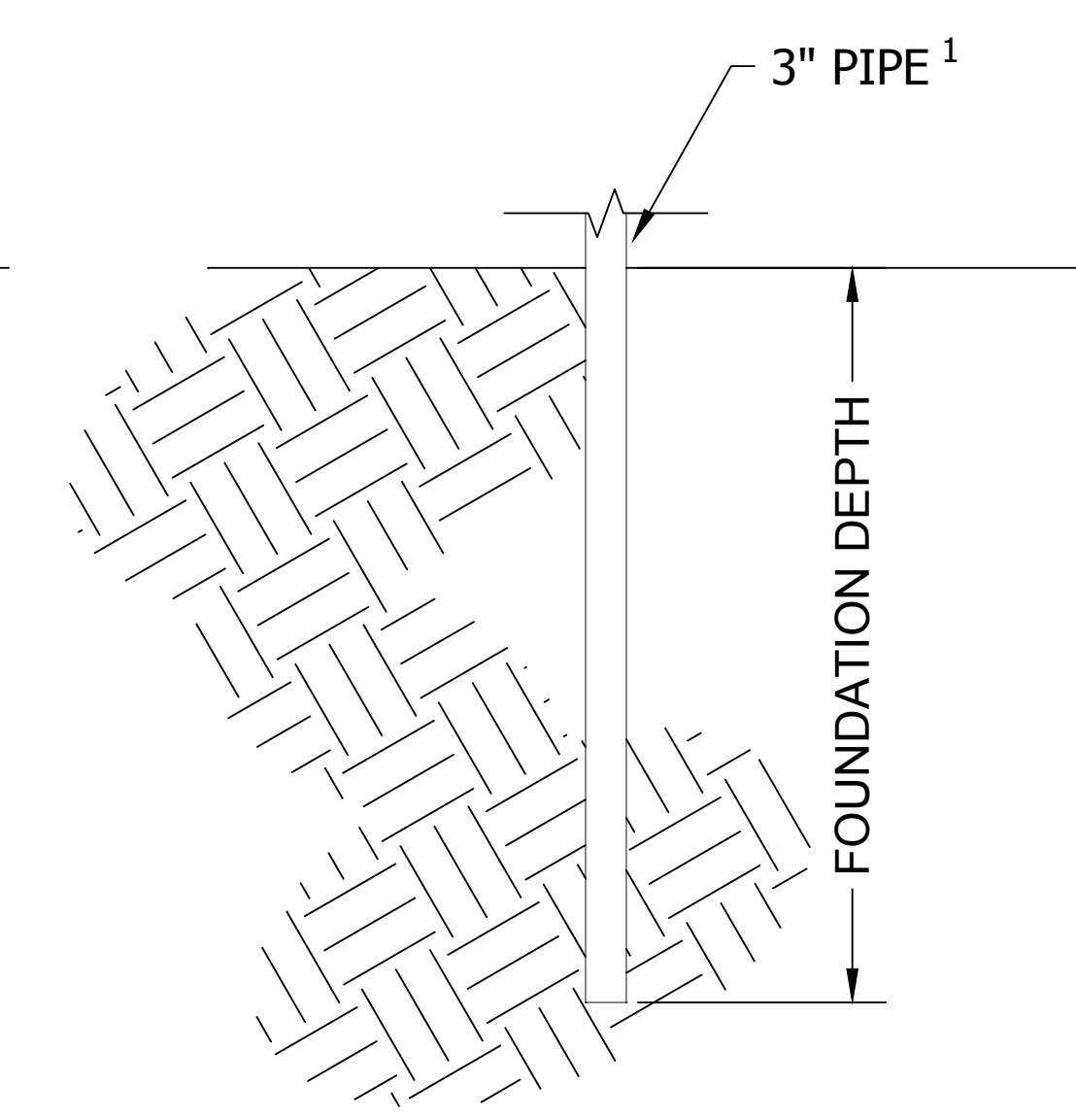
G DETAIL, END CLAMP PLAN
6"=1'-0"



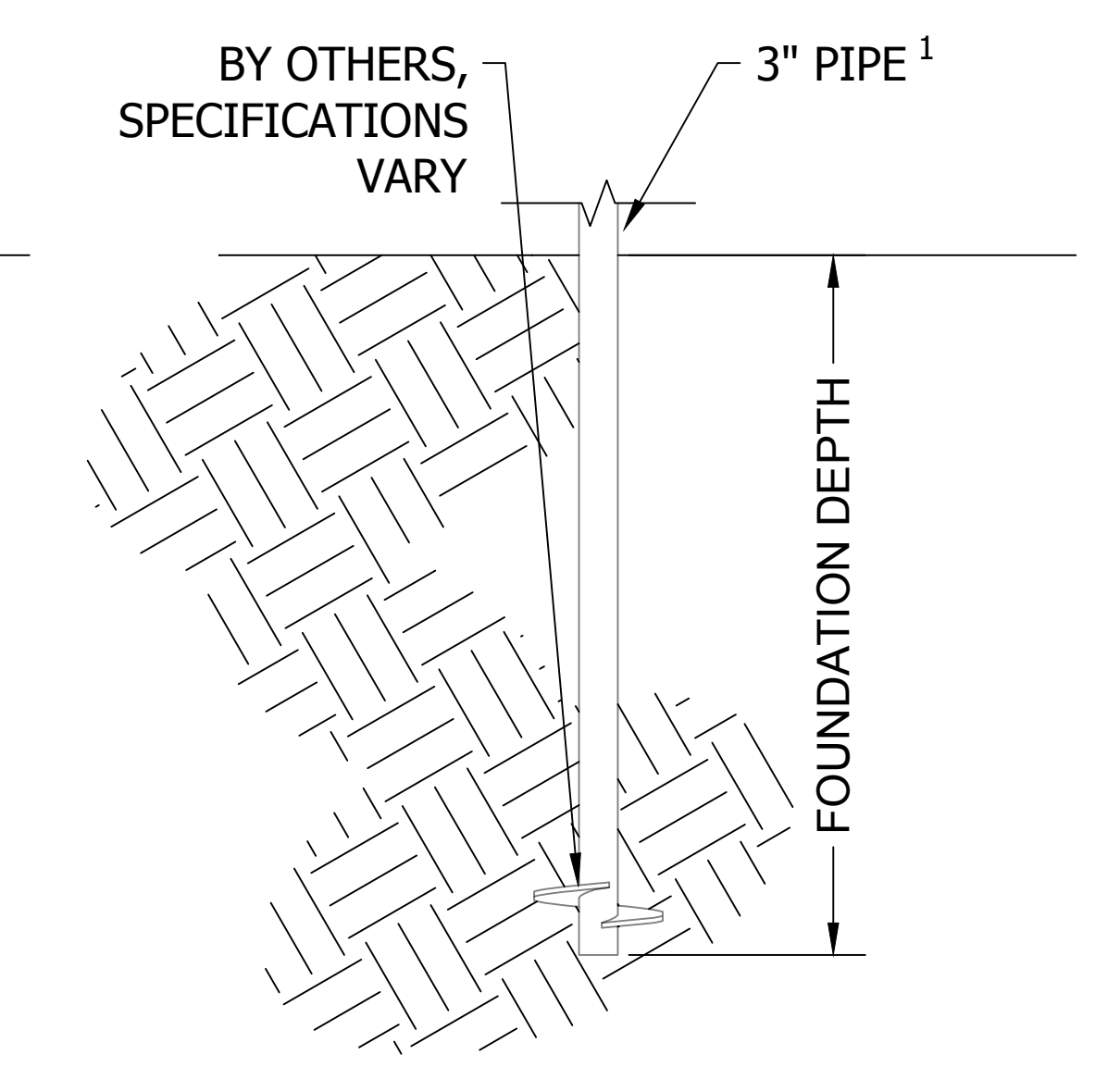
H DETAIL, END CLAMP FRONT
6"=1'-0"



J DRILL/POUR FOUNDATION
Scale: 3/4"=1'-0"



K DRIVEN PIER FOUNDATION
Scale: 3/4"=1'-0"



L HELICAL PILE FOUNDATION
Scale: 3/4"=1'-0"

IRONRIDGE		GROUND MOUNT SYSTEM	
CLIENT NAME	PROJECT NAME	PROJECT ADDRESS	SYSTEM KW DC

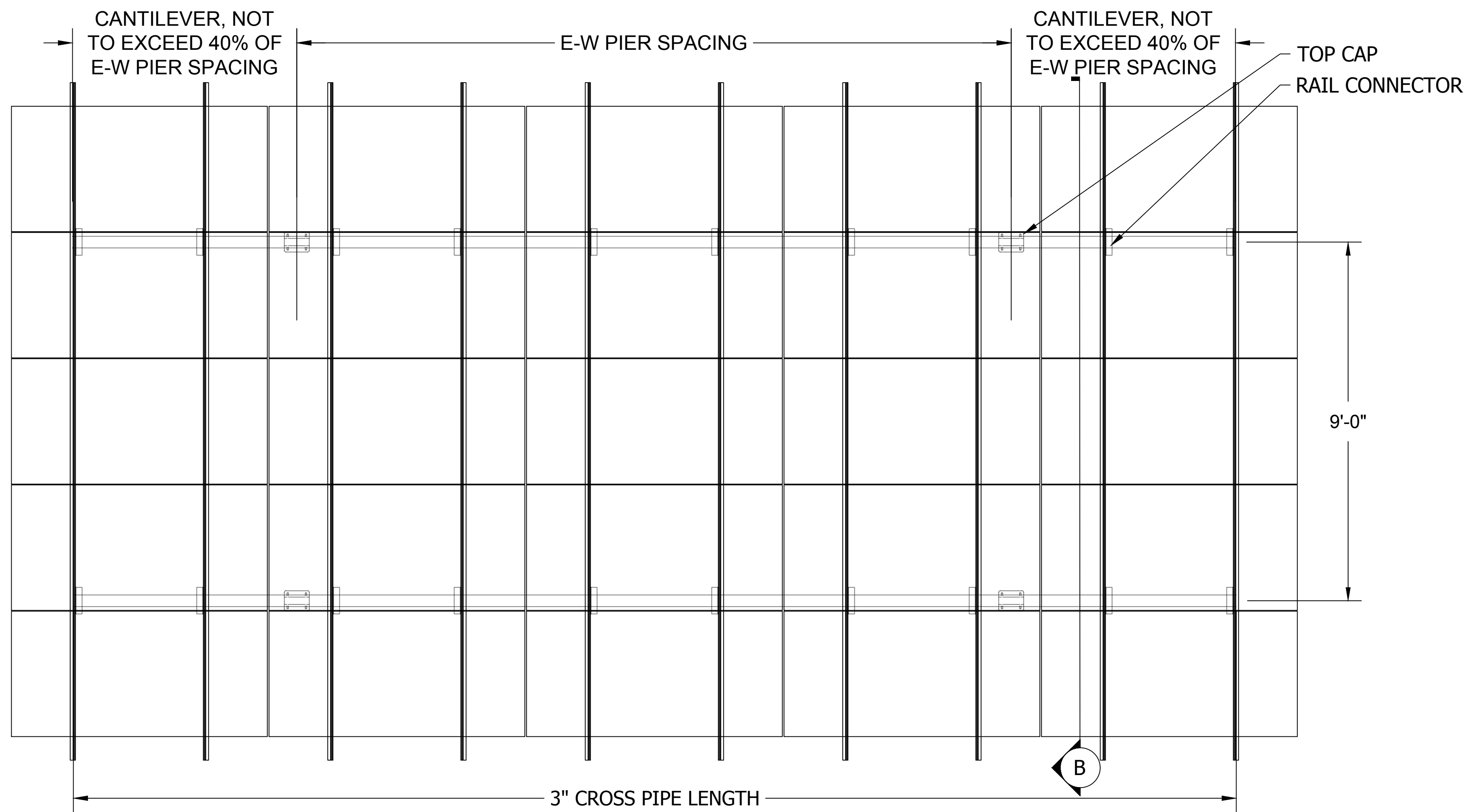
WIND SPEED, MPH	SNOW LOAD, PSF	EXPOSURE CAT	RISK CAT	MODULE TYPE	MODULE W DC	MODULE QTY
				72-CELL, GENERIC		

APPROVAL STATUS

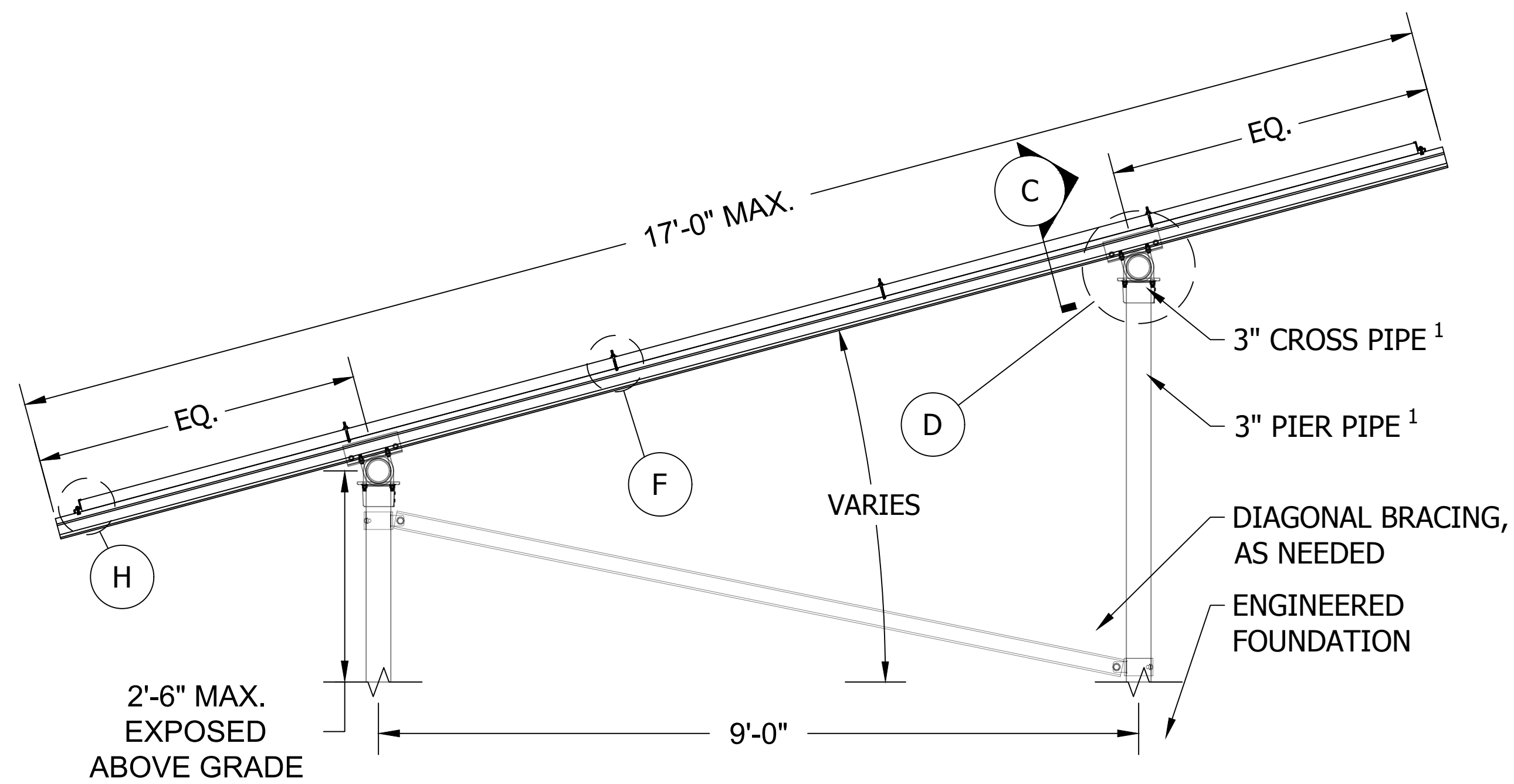
NOT FOR CONSTRUCTION

REV	DESCRIPTION	DATE

SHEET NAME	
PV SYSTEM DETAILS 4-UP 3"	
JOB NO.	2.09 GM
ISSUE DATE	XX NOV 2015
SHEET NO.	IR 5
SHEET SIZE	24X36

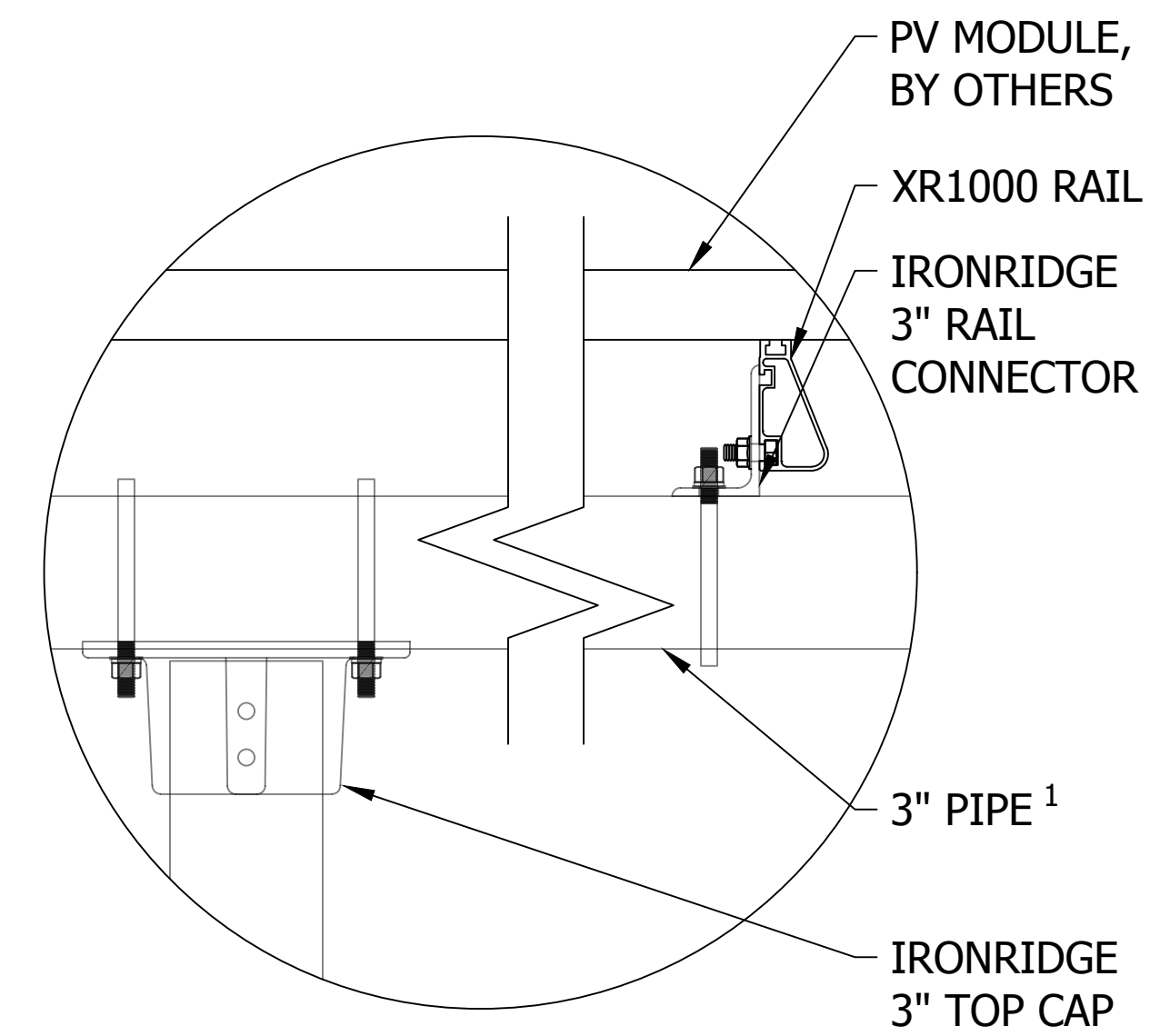


A 5-UP - PV SYSTEM PLAN DETAIL
Scale: 1/2"=1'-0"

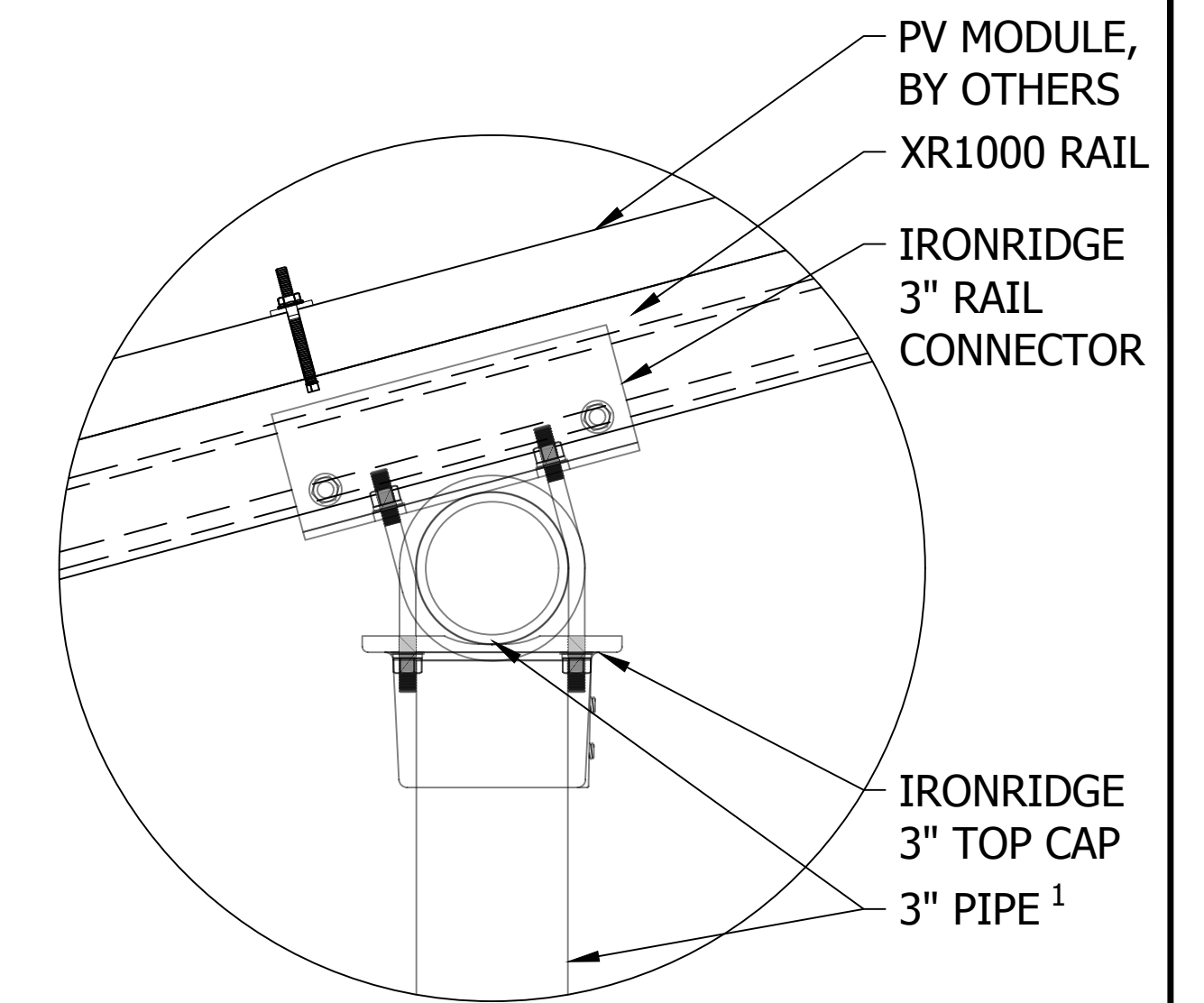


B 5-UP - PV SYSTEM SIDE SECTION
Scale: 3/4"=1'-0"

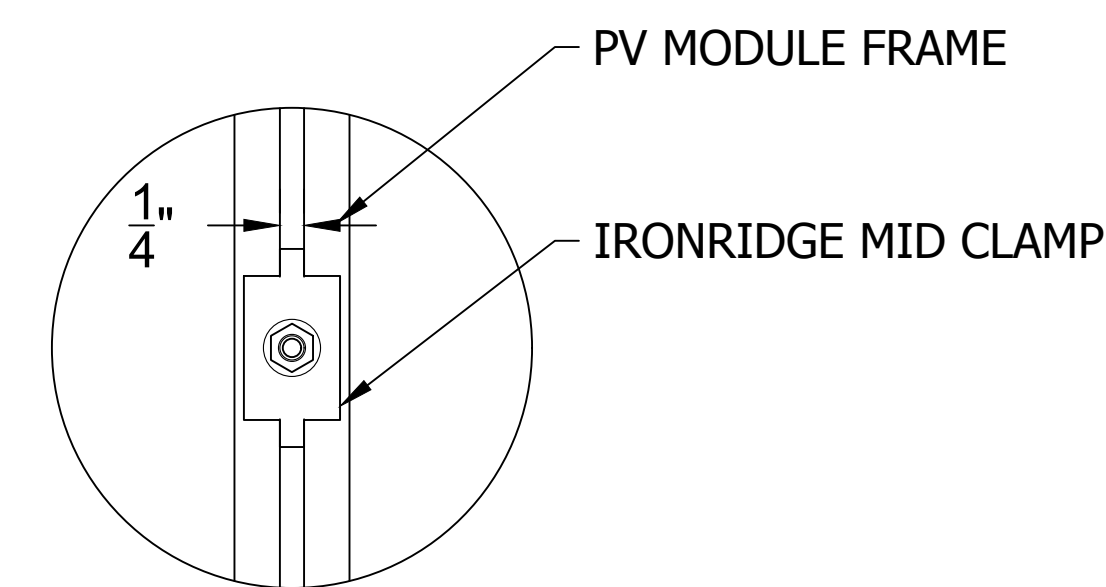
- SHEET NOTES**
1. SCHEDULE 40 PIPE OR ALLIED MECHANICAL TUBING (8GA WALL THICKNESS)
 2. URL: IRONRIDGE GROUND MOUNT INSTALL MANUAL
 3. URL: IRONRIDGE GROUND MOUNT ENGINEERING DESIGN GUIDE



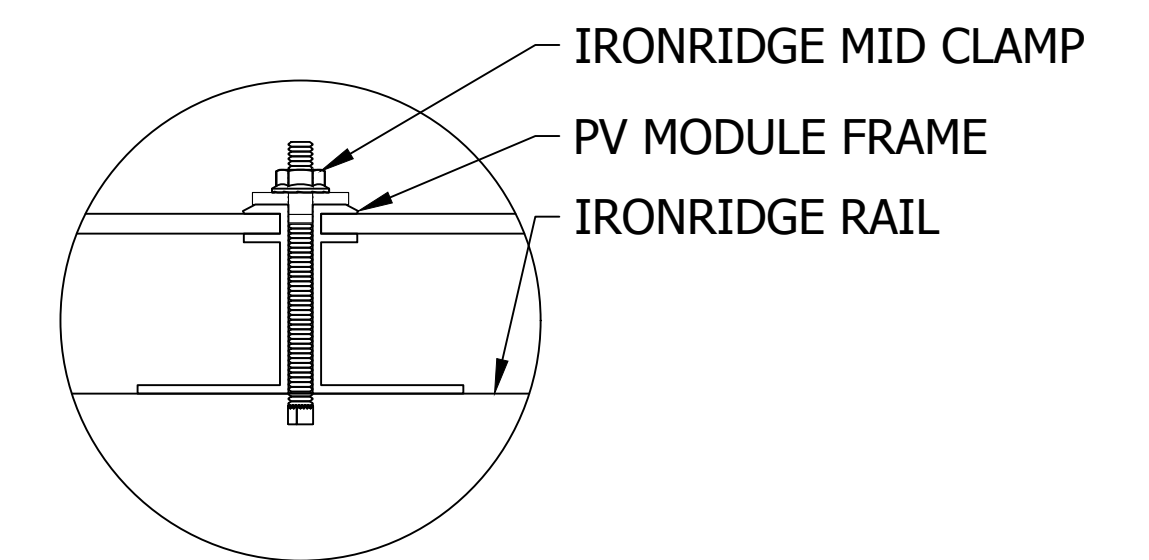
C PIPE FITTINGS DETAIL
3"=1'-0"



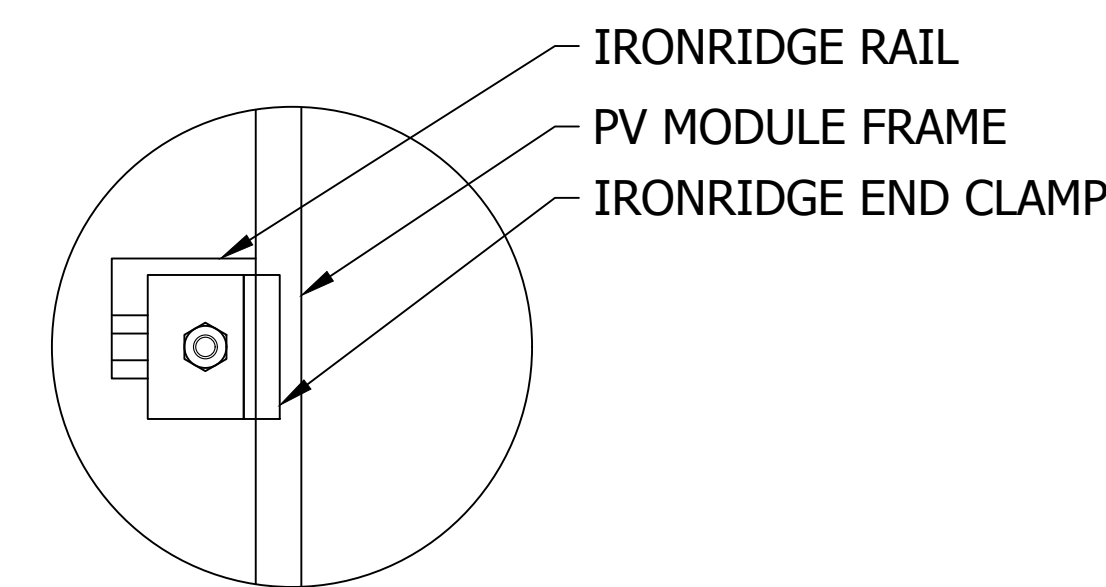
D PIPE FITTINGS DETAIL
3"=1'-0"



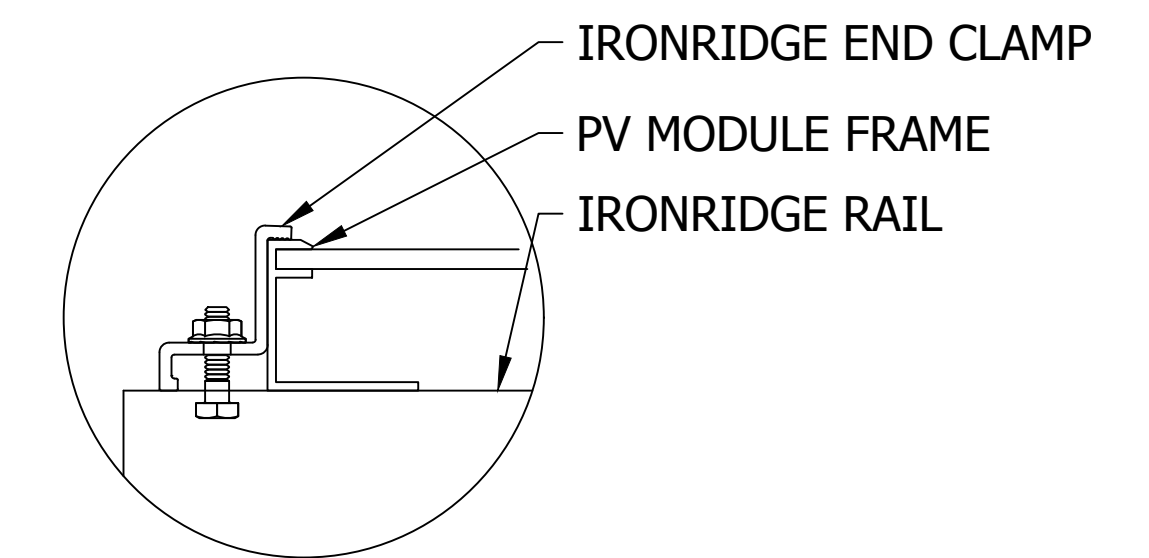
E DETAIL, MID CLAMP PLAN
6"=1'-0"



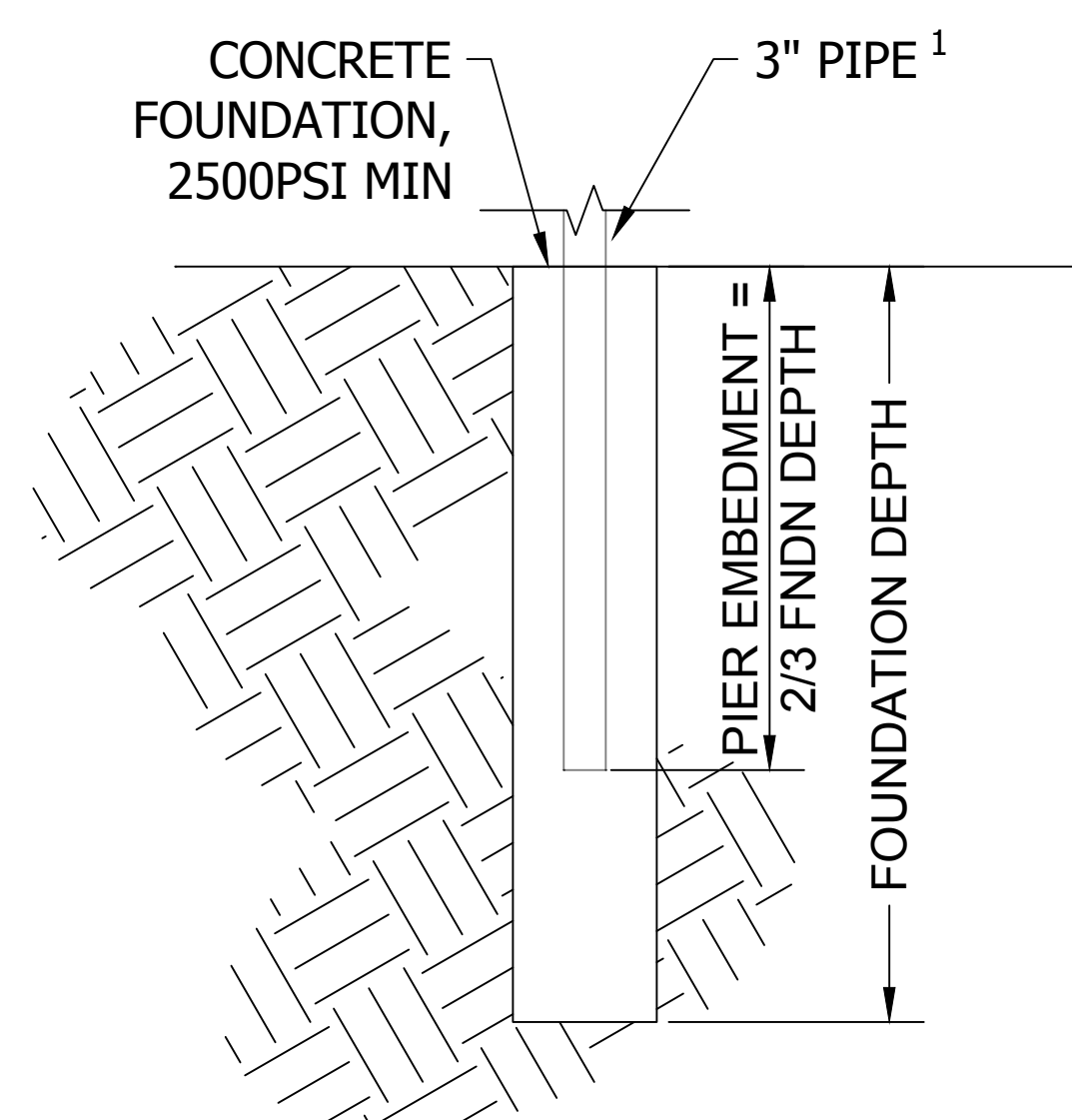
F DETAIL, MID CLAMP FRONT
6"=1'-0"



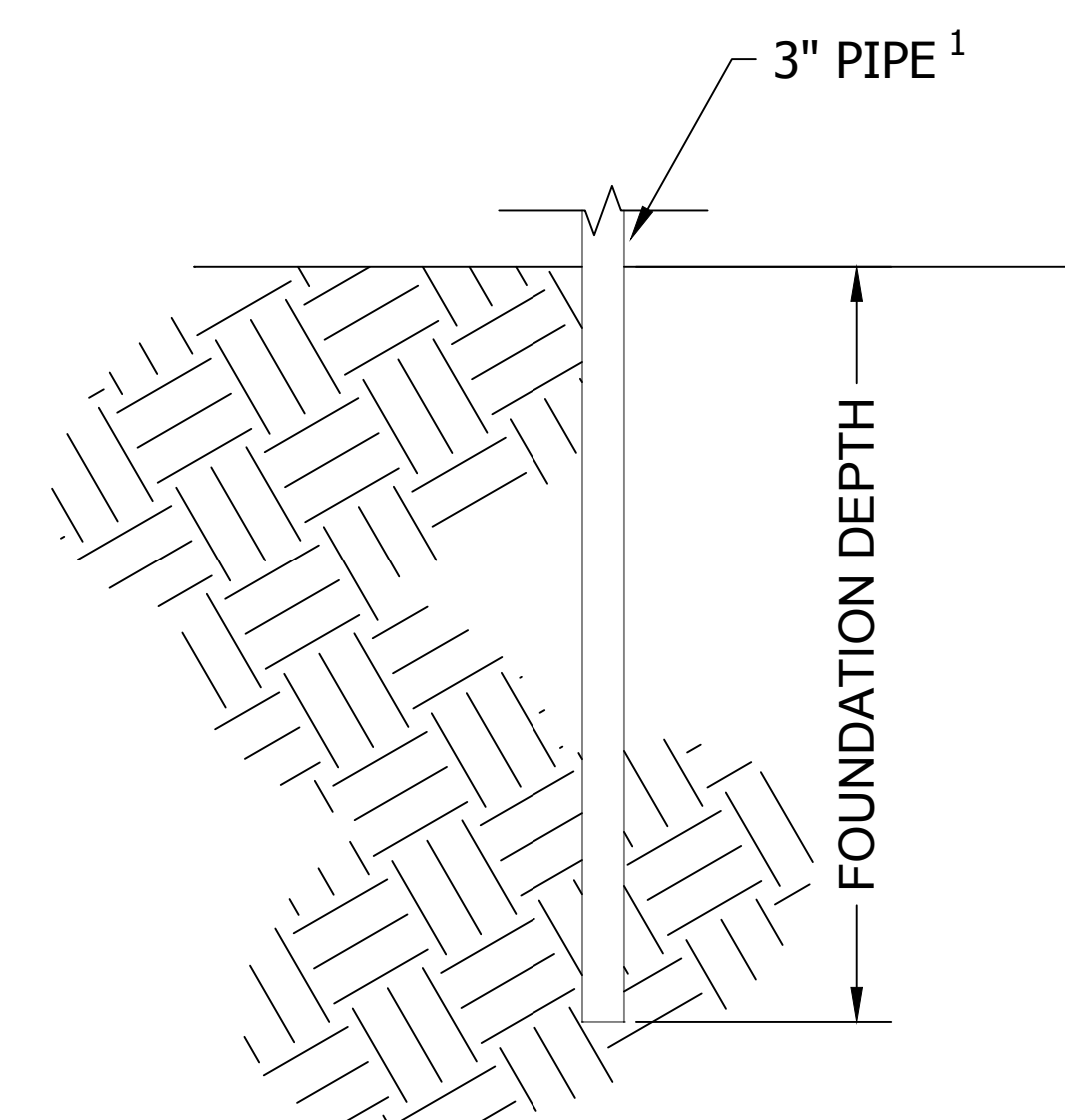
G DETAIL, END CLAMP PLAN
6"=1'-0"



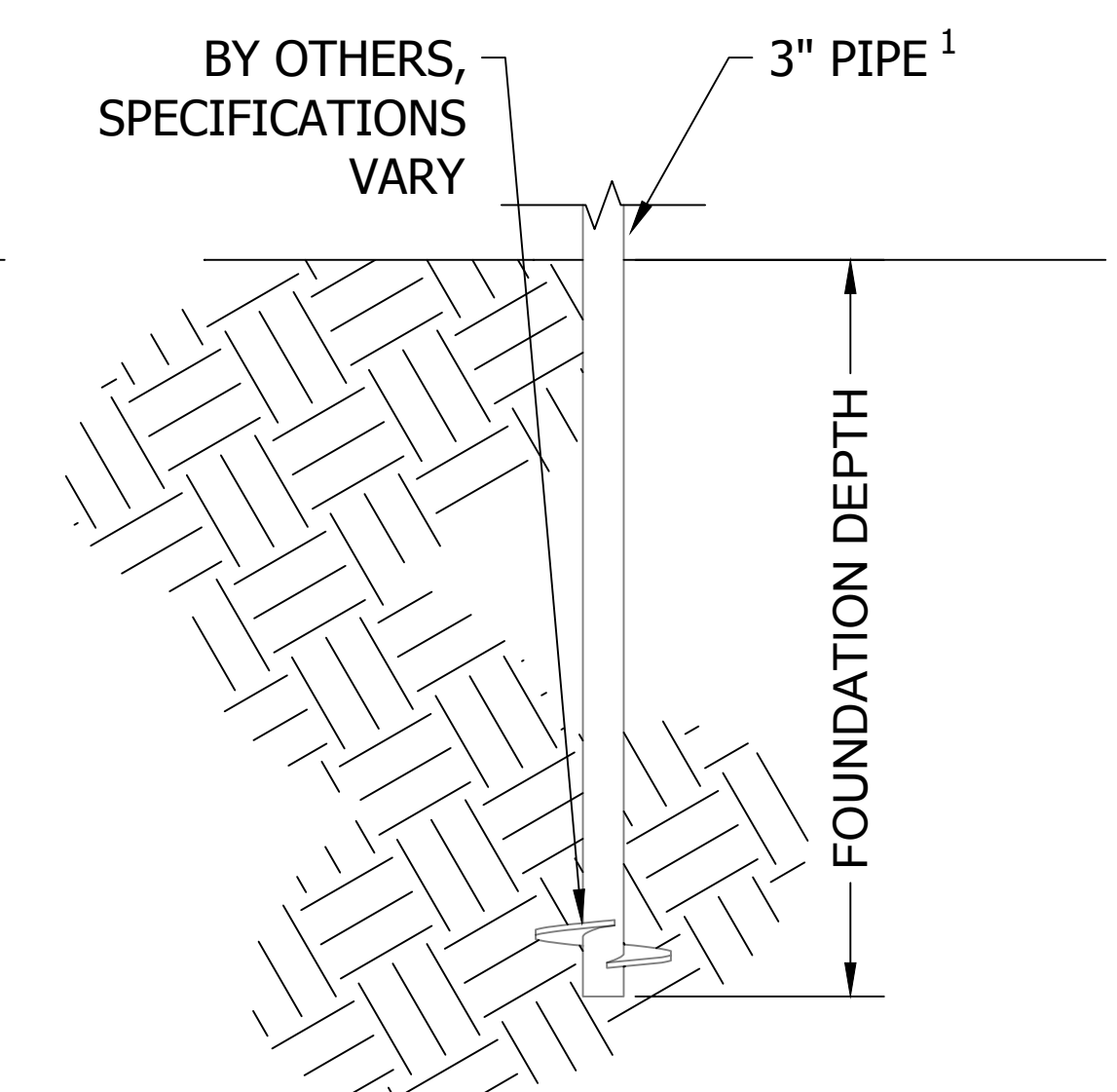
H DETAIL, END CLAMP FRONT
6"=1'-0"



J DRILL/POUR FOUNDATION
Scale: 3/4"=1'-0"



K DRIVEN PIER FOUNDATION
Scale: 3/4"=1'-0"



L HELICAL PILE FOUNDATION
Scale: 3/4"=1'-0"

CLIENT NAME	PROJECT NAME	PROJECT ADDRESS	SYSTEM KW DC
	GROUND MOUNT SYSTEM		

WIND SPEED, MPH	SNOW LOAD, PSF	EXPOSURE CAT	RISK CAT	MODULE TYPE	MODULE W DC	MODULE QTY
				72-CELL, GENERIC		

APPROVAL STATUS

NOT FOR CONSTRUCTION

REV	DESCRIPTION	DATE

SHEET NAME	
PV SYSTEM DETAILS 5-UP 3"	
JOB NO.	2.09 GM
ISSUE DATE	XX NOV 2015
SHEET NO.	IR 6
SHEET SIZE	24X36