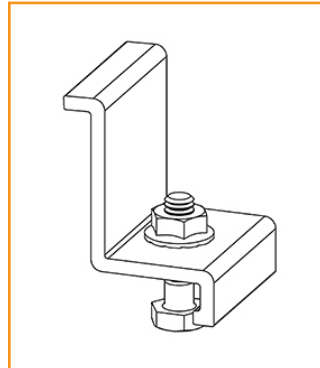


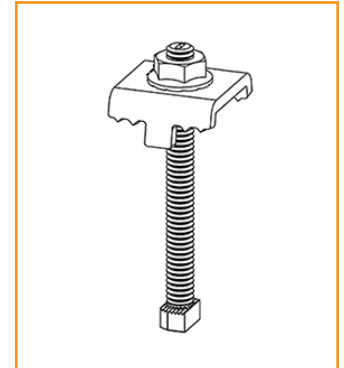
The following components have been tested or evaluated with IronRidge's Flush Mount, Tilt Mount and Ground Mount systems. The ratings described in each product installation manual apply when using these alternate components.

## TORQUE VALUES

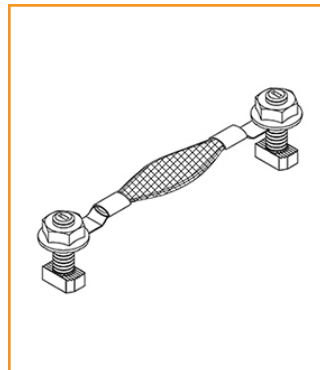
- End Clamp Nuts (1/4"-20): 80 in-lbs
- Mid Clamp Nuts (1/4"-20): 80 in-lbs  
(55 in-lbs for SunPower Modules)
- Grounding Lug Nuts (1/4"-20): 80 in-lbs
- Grounding Lug Set Screws (1/4"-28): 20 in-lbs
- FlashFoot Lag Bolts (1/2" Socket): Fully seat



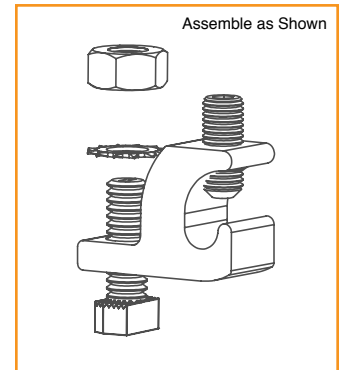
End Clamp



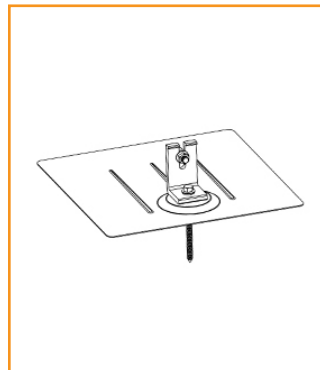
Mid Clamp



Expansion Joint



Grounding Lug



FlashFoot

Follow the same installation steps described in the respective component section of the Flush Mount, Tilt Mount, and Ground Mount installation manuals.

The components referenced in this addendum conform to STD UL 2703 (2015) Standard for Safety First Edition: Mounting Systems, Mounting Devices, Clamping/Retention Devices, and Ground Lugs for Use with Flat-Plate Photovoltaic Modules and Panels.