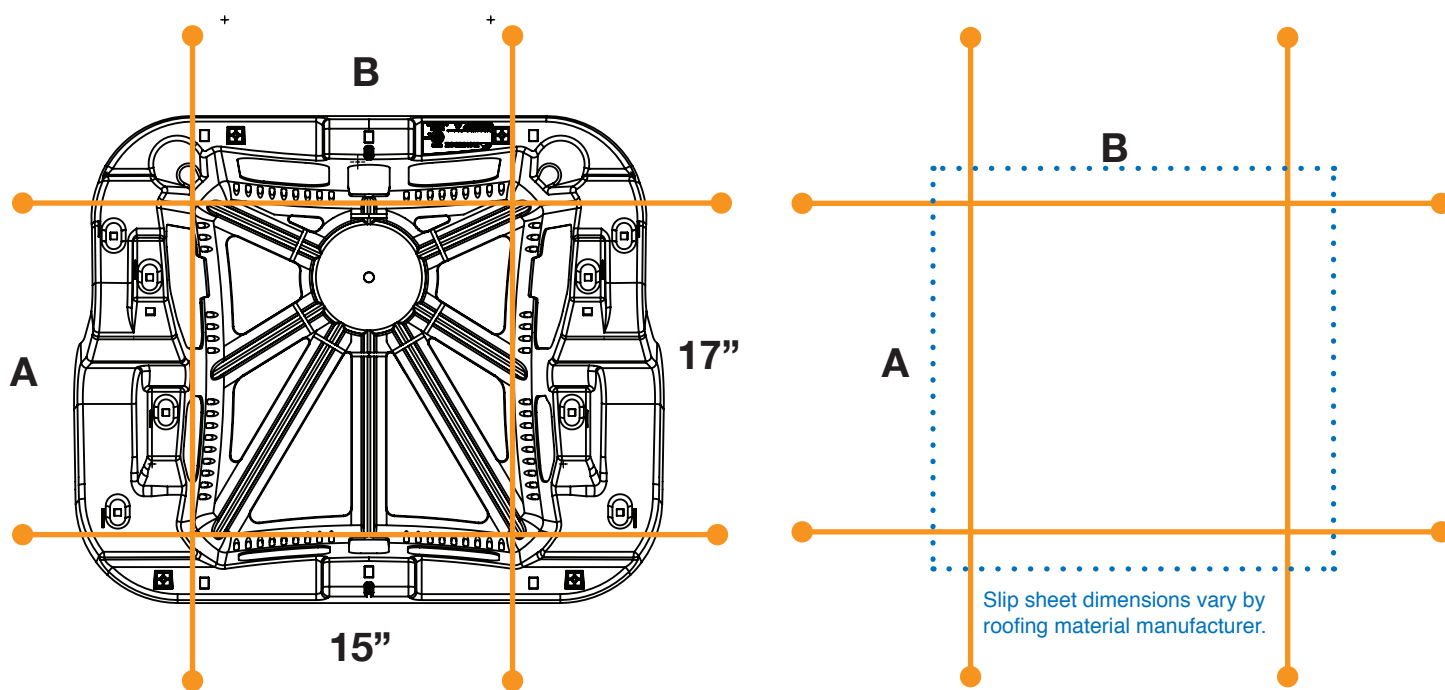


Slip sheet requirements will vary based on the roofing material, manufacturer and project location. The specified dimensions below are for the actual interface between BX Chassis and the roof.

Please consult the roofing manufacturer to determine if slip sheets are required, and if so, the appropriate dimensions, as slip sheets will need to be larger than the interface dimensions.

BX/ROOF INTERFACE

TECH SUPPORT
800-227-9523