



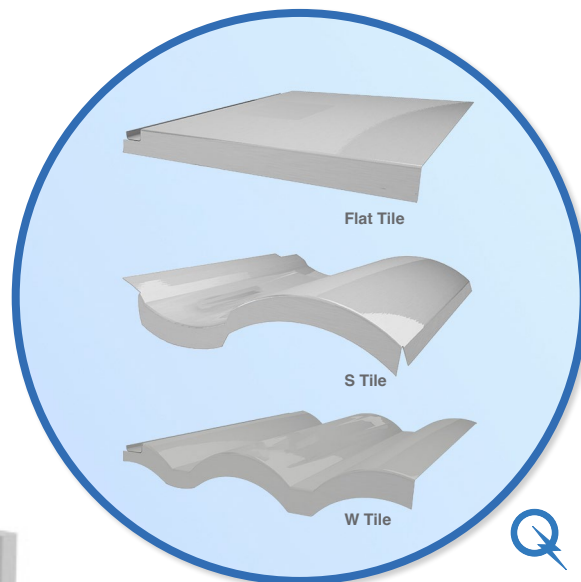
## All Tile Hook & Flashings

### Streamline the Tile Roof Experience

All Tile Hook is a simple, adjustable roof attachment for mounting solar on tile roofs. It works with flat, S, and W tiles and is offered with an optional deck flashing. 7/16" hardware also makes it a single-socket installation.

Combined with QuickMount® Tile Replacement Flashings, the install is even quicker and more adaptive to the roof. The flashing replaces a tile, so there's no messy, time-consuming tile grinding or cutting required.

This code-compliant tile solution utilizes the best engineered products to protect the roof with industry best practices—all covered by our 25 year warranty.

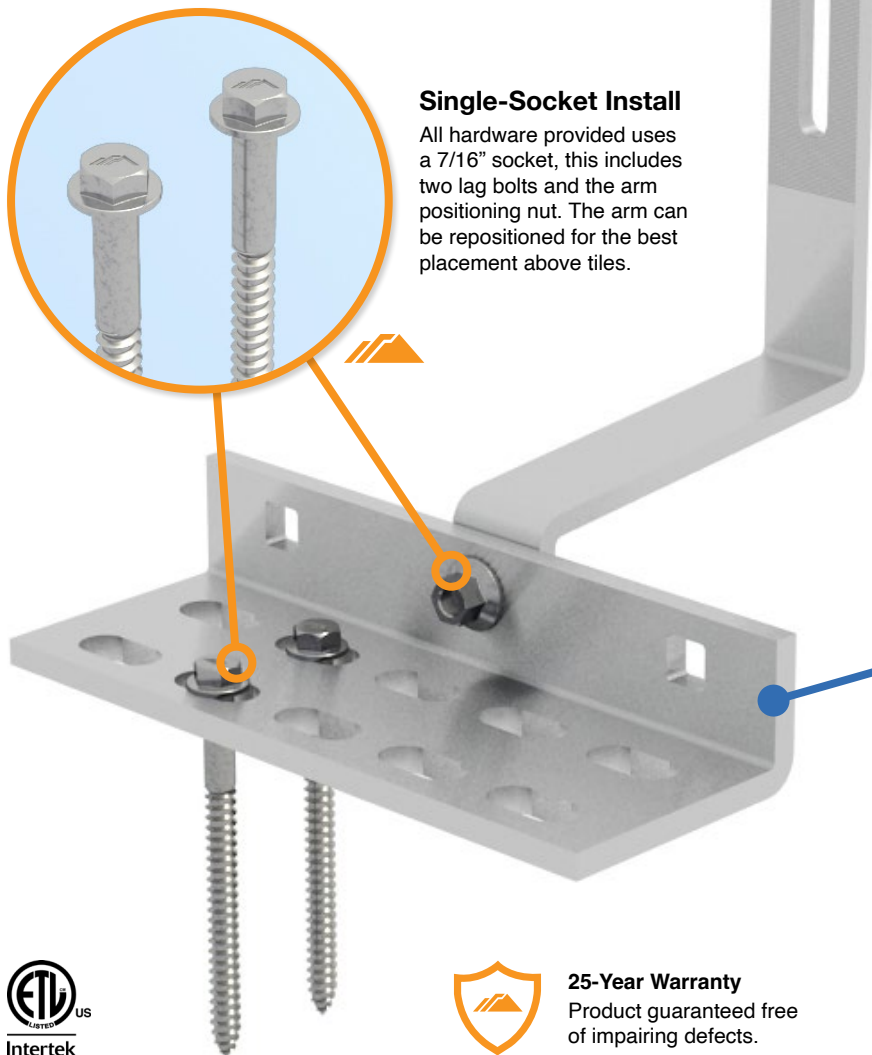


### QuickMount® Flashing Compatibility

All Tile Hook integrates with QuickMount® Tile Replacement Flashings, so installers can trust a cohesive attachment and flashing combo on their project. Flashings are available for flat, S, and W-shaped tiles—in aluminum mill.

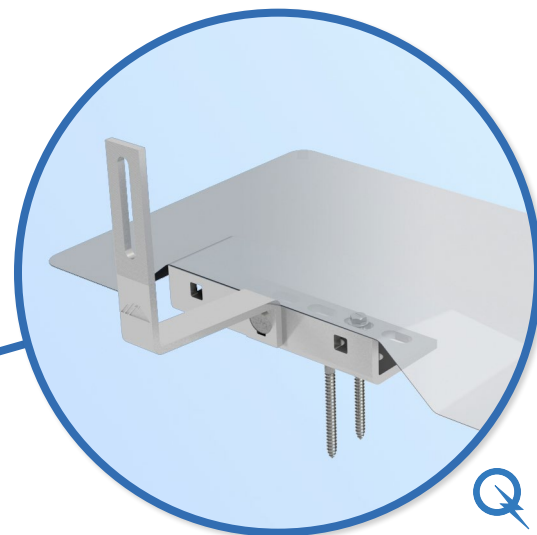


This component is part of the QuickMount® product line.



### Single-Socket Install

All hardware provided uses a 7/16" socket, this includes two lag bolts and the arm positioning nut. The arm can be repositioned for the best placement above tiles.



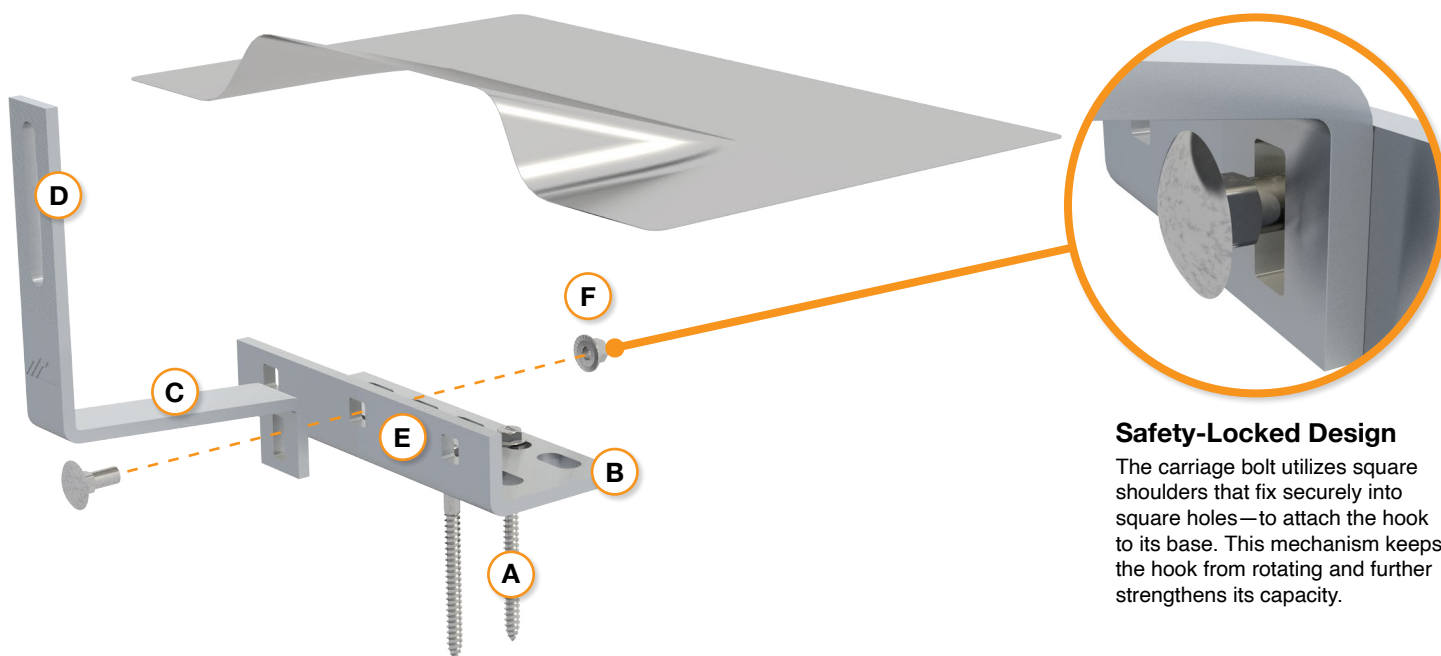
### Optional Tile Hook Deck Flashing

An Aluminum deck flashing can be added over the All Tile Hook mounting plate offering an additional layer of protection.



**25-Year Warranty**  
Product guaranteed free of impairing defects.

## Installation Features



### Safety-Locked Design

The carriage bolt utilizes square shoulders that fix securely into square holes—to attach the hook to its base. This mechanism keeps the hook from rotating and further strengthens its capacity.

### A Hex Flange Lag Bolts

A set of 5/16 x 4" lags provide increased structural capacity, and resist excessive system deflection at higher wind speeds.

### B Base Plate Adjustment Slots

Multiple slots in the base plate allow the mount to be adjusted laterally, to accommodate rafter locations.

### C Universal Tile Compatibility

The All Tile Hook works with flat, S, and W tile profiles. Tile Replacement Flashings are also available for flat, S, and W tile roofs.

### D Rail Height Adjustability

A vertical 2.4" slot in the hook arm allows rail to be adjusted during installation to accommodate roof undulations.

### E Hook Arm Adjustability

Three square holes along the side of the base plate allow you to select the optimum location to place the hook, preventing tile interference.

### F Single-Driver Socket

The nut on the carriage bolt and the lag bolts use 7/16" socket size, consistent with the rest of the XR racking system.

## Testing & Certification

### Strength Tested

All IronRidge components are thoroughly tested and evaluated for exceptional structural performance.

### Class A Fire Rating

The entire Flush Mount System is certified to maintain the fire resistance rating of the existing roof.

### UL 2703 Listed System

The entire Flush Mount System and its components meet or exceed electrical safety standards for solar.

### PE Certified

Pre-stamped engineering letters are available for most states via our free online Design Assistant.