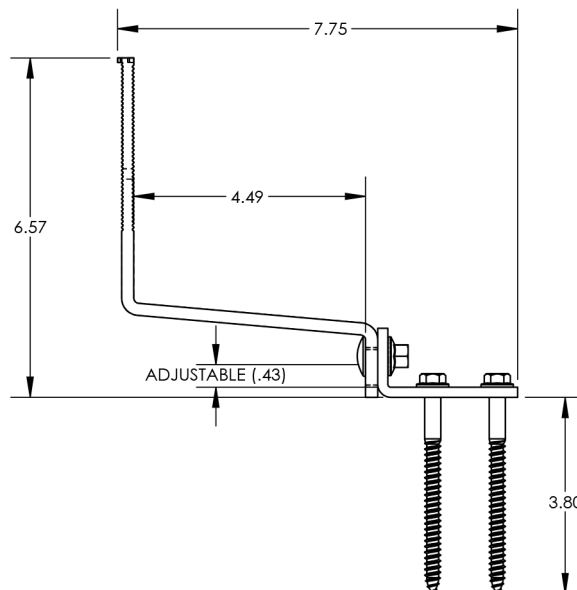
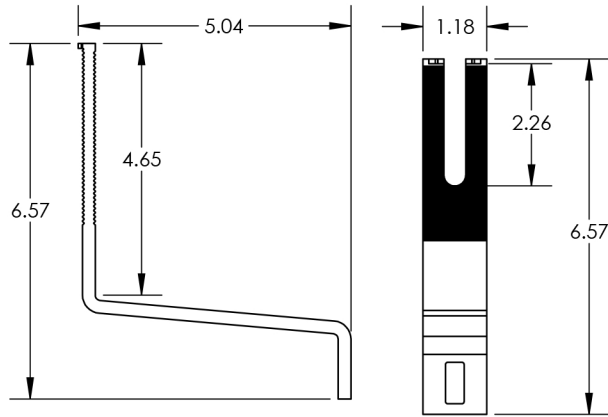


ITEM NO.	DESCRIPTION	QTY IN KIT
1	ARM, FLAT TILE HOOK	1
2	BASE, FLAT TILE HOOK	1
3	BOLT, CARRIAGE 5/16 x 1"	1
4	7/16 HEX HEAD, 5/16-18 UNC THREAD FLANGE NUT	1
5	SCREW, LAG, 7/16" HEX, W/FLANGE, 5/16-9 4"	2

PART NUMBER	DESCRIPTION
FTH-01-M1	FLAT TILE FLY (INCLUDES 2 LAGS)

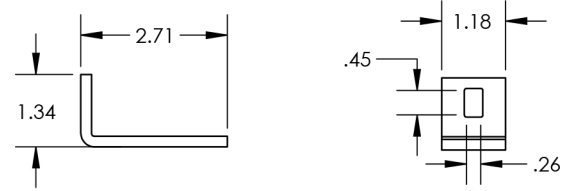


1) ARM, FLAT TILE HOOK



PROPERTY	VALUE
MATERIAL	300 SERIES STAINLESS STEEL
FINISH	CLEAR

2) BASE, FLAT TILE HOOK



PROPERTY	VALUE
MATERIAL	300 SERIES STAINLESS STEEL
FINISH	CLEAR

3) BOLT, CARRIAGE 5/16 X 1"



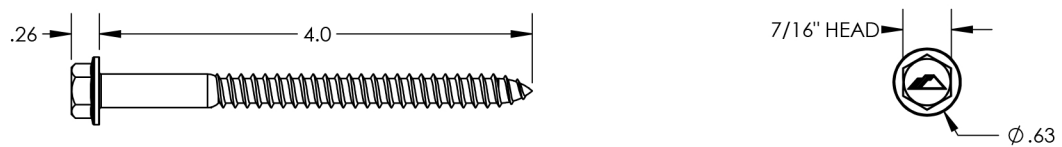
PROPERTY	VALUE
MATERIAL	300 SERIES STAINLESS STEEL
FINISH	CLEAR

4) 7/16 HEX HEAD, 5/16-18 UNC THREAD FLANGE NUT



PROPERTY	VALUE
MATERIAL	300 SERIES STAINLESS STEEL
FINISH	CLEAR

5) SCREW, LAG, 7/16" HEX, W/FLANGE, 5/16-9 4"



PROPERTY	VALUE
MATERIAL	300 SERIES STAINLESS STEEL
FINISH	CLEAR