

SOLAR SUPPORT SYSTEM IS NOT RATED FOR IMPACT.

SOLAR SUPPORT SYSTEM IS SECURED TO ROOF STRUCTURE (BY OTHERS)

QUICKMOUNT QBASE & L-MOUNT SOLAR ROOF ATTACHMENTS

THIS PRODUCT HAS BEEN DESIGNED AND TESTED TO COMPLY WITH THE REQUIREMENTS OF THE 2020 (7TH EDITION) FLORIDA BUILDING CODE INCLUDING HIGH VELOCITY HURRICANE ZONE (HVHZ).

ANCHORS SHALL BE CORROSION RESISTANT, SPACED AS SHOWN ON DETAILS AND INSTALLED PER MANUF'S INSTRUCTIONS. SPECIFIED EMBEDMENT TO BASE MATERIAL SHALL BE BEYOND ROOF SHEATHING.

A LOAD DURATION INCREASE IS USED IN DESIGN OF ANCHORS INTO WOOD ONLY.

ALL SHIMS TO BE HIGH IMPACT, NON-METALLIC AND NON-COMPRESSIBLE.

MATERIALS INCLUDING BUT NOT LIMITED TO STEEL/METAL SCREWS, THAT COME INTO CONTACT WITH OTHER DISSIMILAR MATERIALS SHALL MEET THE REQUIREMENTS OF THE 2020 FLORIDA BLDG. CODE & ADOPTED STANDARDS.

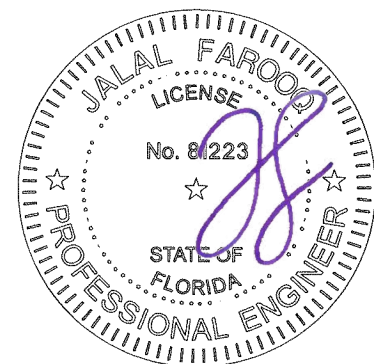
THIS PRODUCT APPROVAL IS GENERIC AND DOES NOT PROVIDE INFORMATION FOR A SITE SPECIFIC PROJECT, i.e. LIFE SAFETY OF THIS PRODUCT, ADEQUACY OF STRUCTURE RECEIVING THIS PRODUCT AND WEATHER SEALING FOR WATER INFILTRATION RESISTANCE ETC. CONDITIONS NOT SHOWN IN THIS DRAWING ARE TO BE ANALYZED SEPARATELY, AND TO BE REVIEWED BY BUILDING OFFICIAL.

MANUFACTURER'S LABEL SHALL BE LOCATED ON A READILY VISIBLE LOCATION IN ACCORDANCE WITH SECTION 1703.5 OF FLORIDA BUILDING CODE. LABELING TO COMPLY WITH SECTION 1703.5.

DESIGN LOADS SHOWN ARE BASED ON 'ALLOWABLE STRESS DESIGN (ASD)'.

A- CONTRACTOR TO BE RESPONSIBLE FOR THE SELECTION, PURCHASE AND INSTALLATION OF THIS PRODUCT BASED ON THIS PRODUCT EVALUATION PROVIDED HE/SHE DOES NOT DEVIATE FROM THE CONDITIONS DETAILED ON THIS DOCUMENT.
B- THIS PRODUCT EVALUATION DOCUMENT WILL BE CONSIDERED INVALID IF ALTERED BY ANY MEANS.
C- SITE SPECIFIC PROJECTS SHALL BE PREPARED BY A FLORIDA REGISTERED ENGINEER OR ARCHITECT WHICH WILL BECOME THE ENGINEER OF RECORD (E.O.R.) FOR THE PROJECT AND WHO WILL BE RESPONSIBLE FOR THE PROPER USE OF THE P.E.D. ENGINEER OF RECORD, ACTING AS A DELEGATED ENGINEER TO THE P.E.D. ENGINEER SHALL SUBMIT TO THIS LATTER THE SITE SPECIFIC DRAWINGS FOR REVIEW.
D- THIS P.E.D. SHALL BEAR THE DATE AND ORIGINAL SEAL AND SIGNATURE OF THE PROFESSIONAL ENGINEER OF RECORD THAT PREPARED IT.

Sealed: 10/19/2021
FL #29846



afc

AL-FAROOQ CORPORATION
ENGINEERS & PRODUCT DEVELOPMENT
9360 SUNSET DRIVE, SUITE 220
MIAMI, FLORIDA 33173 (C.A.N. 3538)
TEL. (305) 264-8100 FAX. (305) 262-6978

QBASE & L-MOUNT SOLAR ROOF ATTACHMENTS (N.I.)

QUICKMOUNT
28357 Industrial Blvd.
Hayward, CA. 94545
Phone: (800) 227-9523 Fax: (510) 259-9747

| no | date | by | description |
|----|----------|----|------------------|
| A | 10.06.21 | ML | GENERAL REVISION |
| | | | |
| | | | |
| | | | |

date: 10-09-20
scale: 1/2"=1'-0"
dr. by: M.L.S.
chk. by:

drawing no.
20-79

sheet 1 of 4

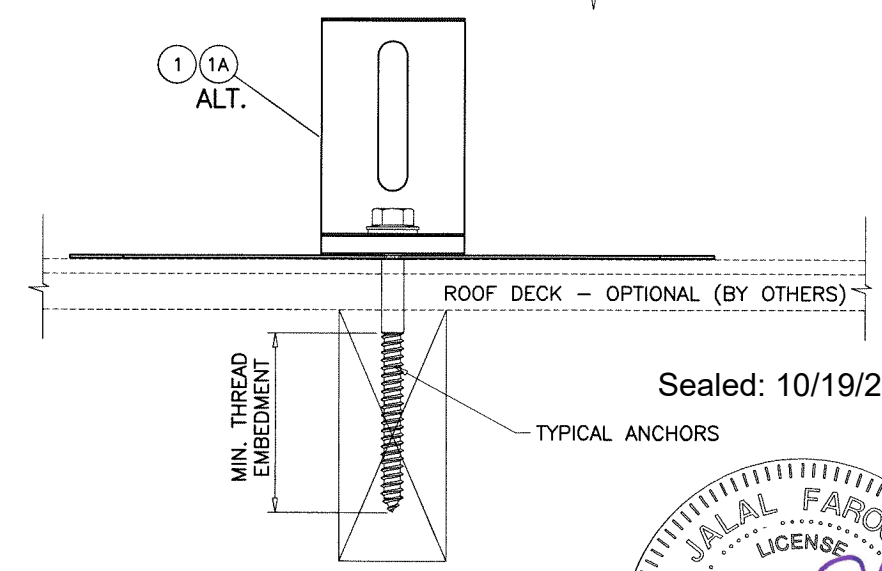
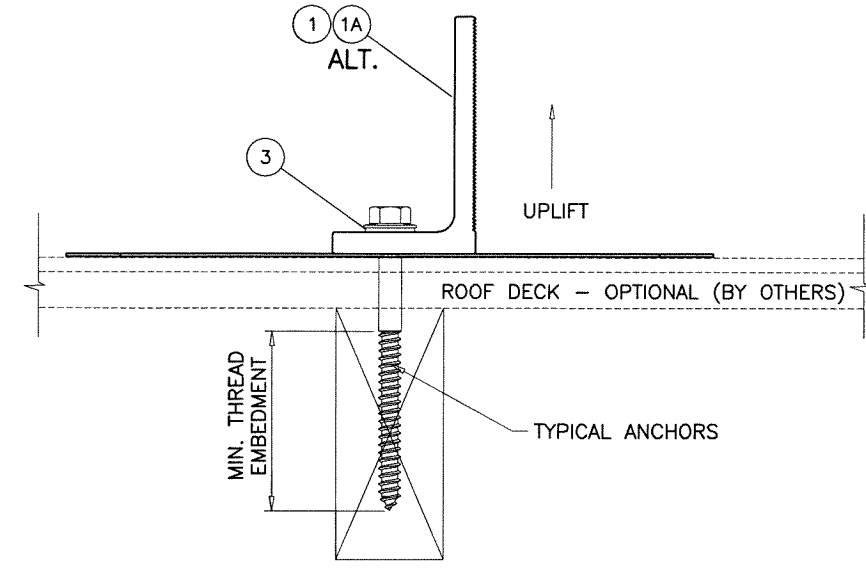
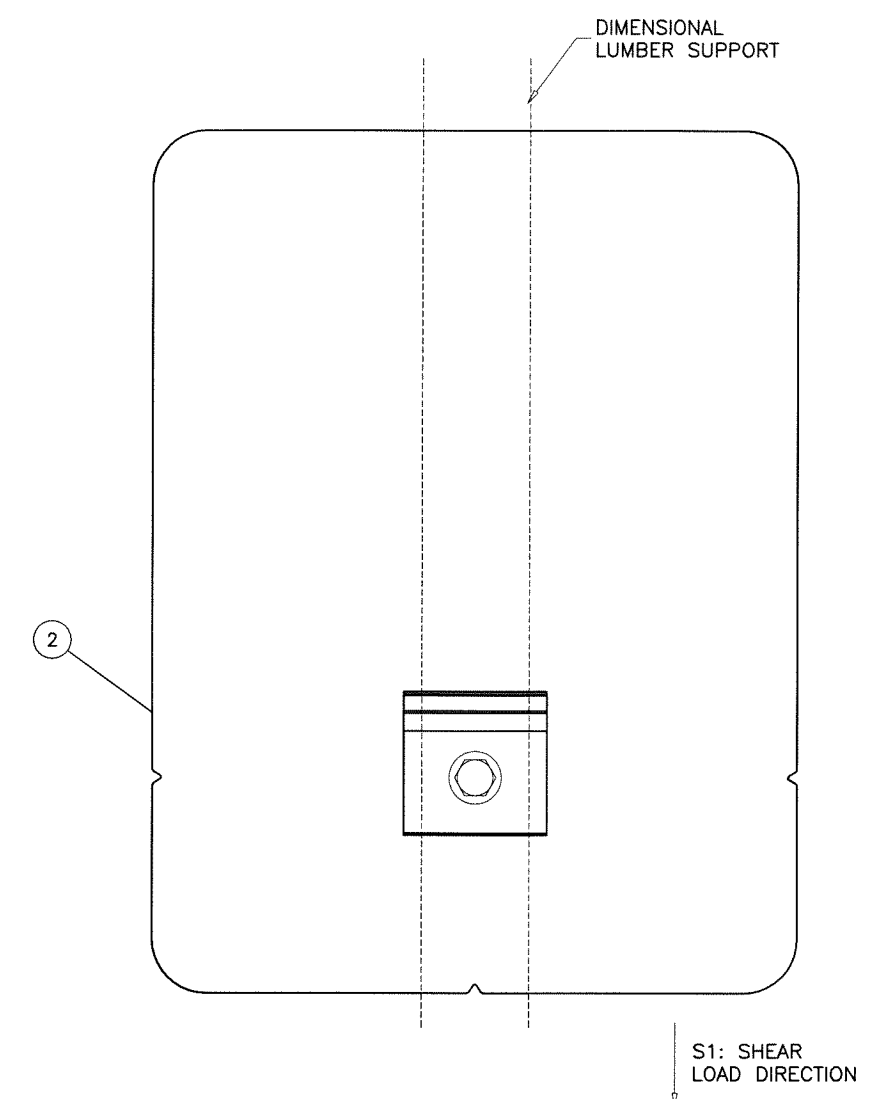
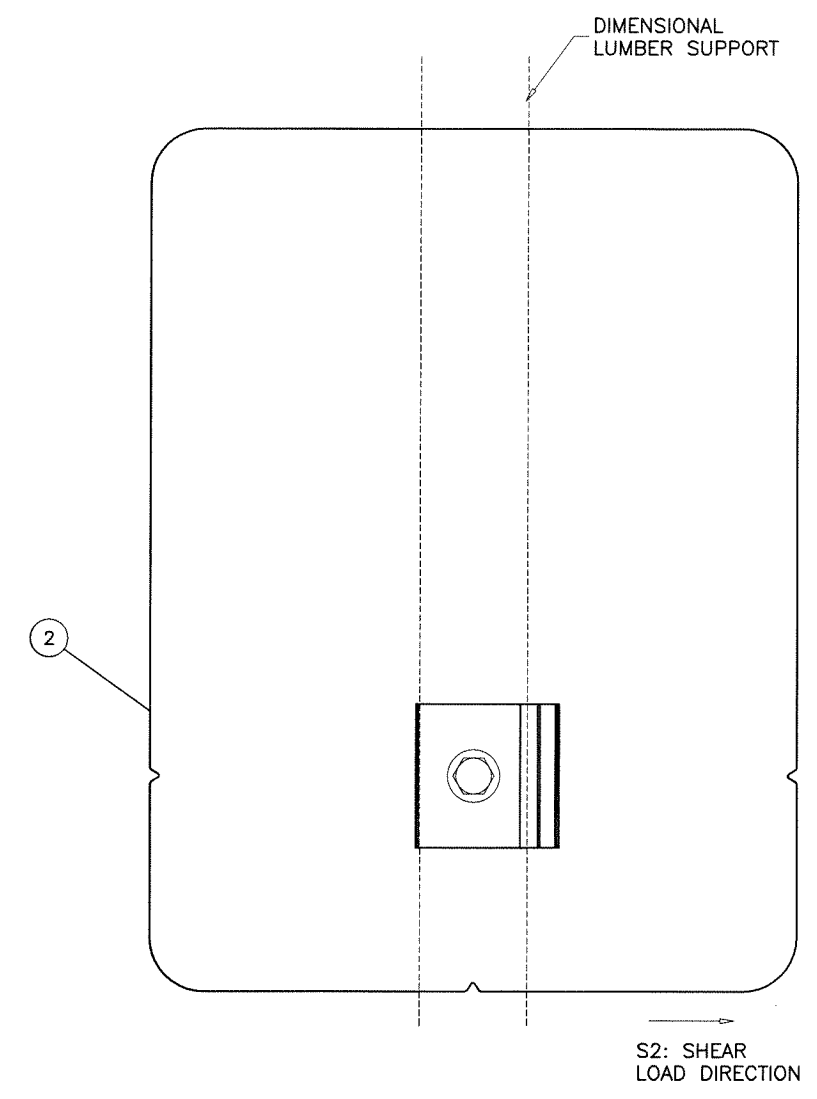
SOLAR-ROOF-ATTCHM\20-79



AL-FAROOQ CORPORATION
 ENGINEERS & PRODUCT DEVELOPMENT
 9360 SUNSET DRIVE, SUITE 220
 MIAMI, FLORIDA 33173 (C.A.N. 3538)
 TEL. (305) 264-8100 FAX. (305) 262-6978

QBASE & L-MOUNT SOLAR ROOF ATTACHMENTS (N.I.)

QUICKMOUNT
 28357 Industrial Blvd.
 Hayward, CA. 94545
 Phone: (800) 227-9523 Fax: (510) 259-9747



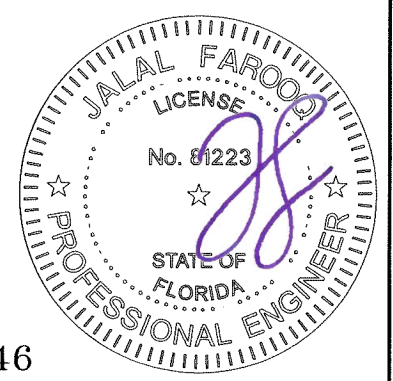
ROOF STRUCTURE AND ROOF DECK NOT BY QUICKMOUNT MUST SUSTAIN LOADS IMPOSED BY SOLAR SUPPORT SYSTEM AND TRANSFER THEM TO THE BUILDING STRUCTURE.

TYPICAL ANCHOR
 TYPE 'A' - 5/16" DIA. X 4" HEX HEAD LAG SCREW. (Fy=60 KSI)
 INTO WOOD STRUCTURES
 2-5/16" MIN. THREAD PENETRATION INTO WOOD

CRITICAL EDGE DISTANCE
 INTO WOOD STRUCTURE = 3/4" MIN.
 WOOD SUBSTRUCTURE SG = 0.45 MIN.

MAXIMUM L-MOUNT SYSTEM WIND UPLIFT RESISTANCE = 1,437.5 LBS
 MAXIMUM L-MOUNT SYSTEM WIND SHEAR RESISTANCE S1 = 800 LBS
 MAXIMUM L-MOUNT SYSTEM WIND SHEAR RESISTANCE S2 = 1,025 LBS

Sealed: 10/19/2021



FL #29846

| revisions: | no | date | description |
|------------|----|----------|---------------------|
| | A | 10.06.21 | ML GENERAL REVISION |

| | |
|----------|--------------|
| date: | 10-09-20 |
| scale: | 3/8" = 1'-0" |
| dr. by: | MLS |
| chk. by: | |

| | |
|-------------|--------|
| drawing no. | 20-79 |
| sheet | 2 of 4 |



AL-FAROOQ CORPORATION
 ENGINEERS & PRODUCT DEVELOPMENT
 9360 SUNSET DRIVE, SUITE 220
 MIAMI, FLORIDA 33173 (C.A.N. 3538)
 TEL. (305) 264-8100 FAX. (305) 262-6978
 SOLAR-SUPPORT 20-79

QBASE & L-MOUNT SOLAR ROOF ATTACHMENTS (N.I.)

QUICKMOUNT

28357 Industrial Blvd.

Hayward, CA. 94545

Phone: (800) 227-9523

Fax: (510) 259-9747

| revisions: | no | date | by | description |
|------------|----|----------|----|------------------|
| | A | 10.06.21 | ML | GENERAL REVISION |

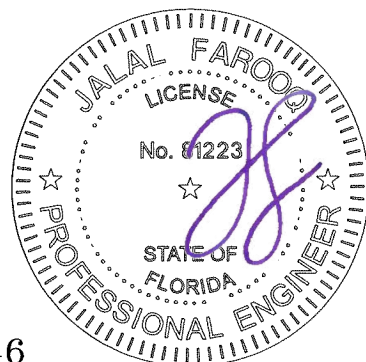
| | |
|----------|--------------|
| date: | 10-09-20 |
| scale: | 3/8" = 1'-0" |
| dr. by: | MLS |
| chk. by: | |

drawing no.

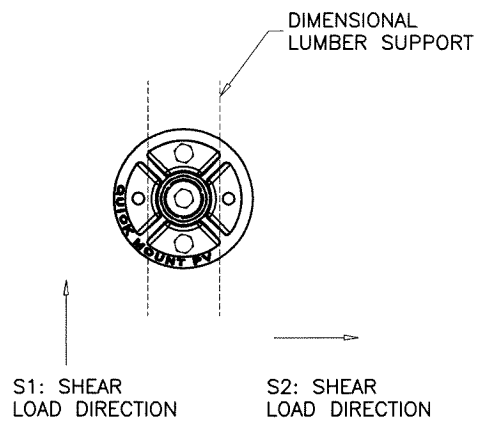
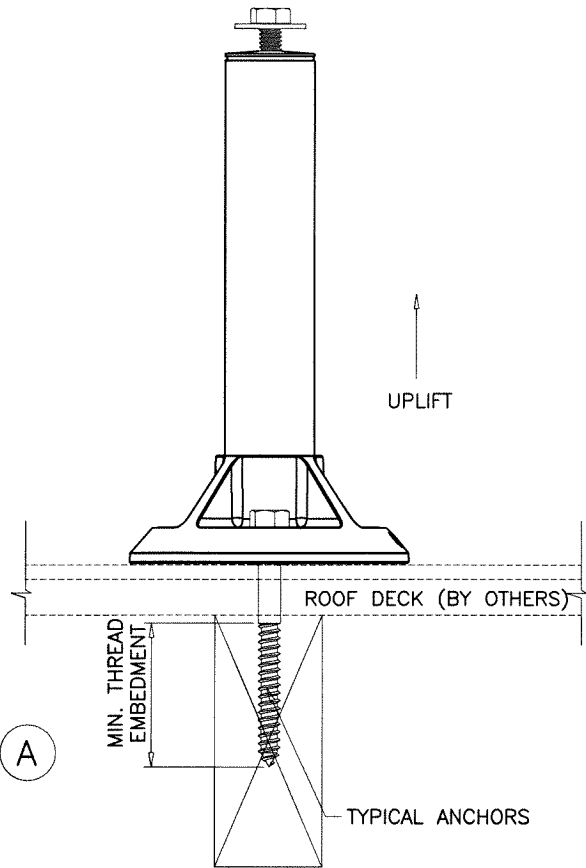
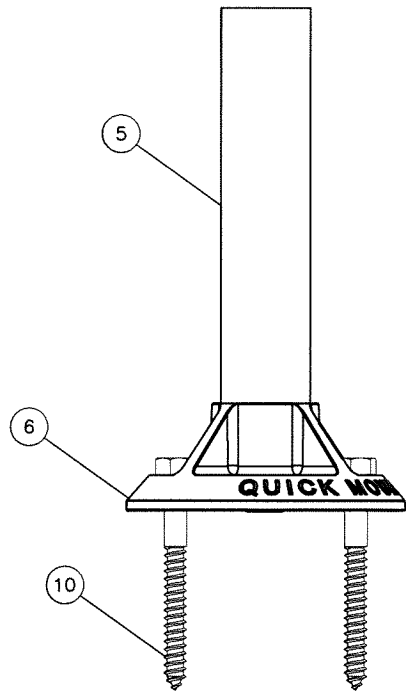
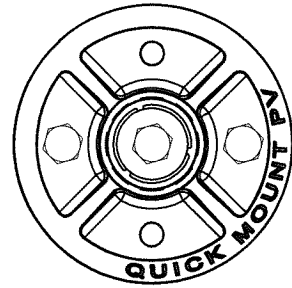
20-79

sheet 3 of 4

Sealed: 10/19/2021



FL #29846



ROOF STRUCTURE AND ROOF DECK NOT BY QUICKMOUNT
 MUST SUSTAIN LOADS IMPOSED BY SOLAR SUPPORT SYSTEM
 AND TRANSFER THEM TO THE BUILDING STRUCTURE.

TYPICAL ANCHOR

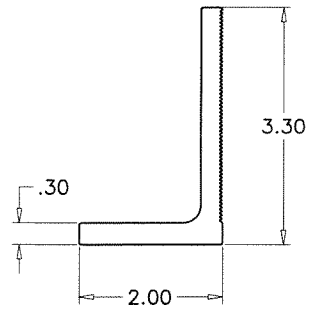
TYPE 'A' - 5/16" DIA. X 3" HEX HEAD LAG SCREW. (Fy=60 KSI)
 INTO WOOD STRUCTURES
 1-13/16" MIN. THREAD PENETRATION INTO WOOD

CRITICAL EDGE DISTANCE

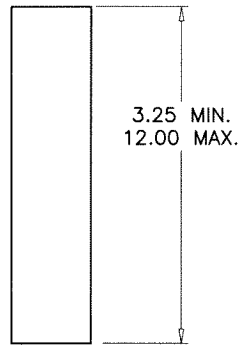
INTO WOOD STRUCTURE = 3/4" MIN.

WOOD SUBSTRUCTURE SG = 0.45 MIN.

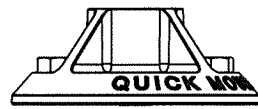
MAXIMUM Q-BASE SYSTEM WIND UPLIFT RESISTANCE = 1,212.5 LBS
 MAXIMUM Q-BASE SYSTEM WIND SHEAR RESISTANCE S1 = 687.5 LBS
 MAXIMUM Q-BASE SYSTEM WIND SHEAR RESISTANCE S2 = 950 LBS



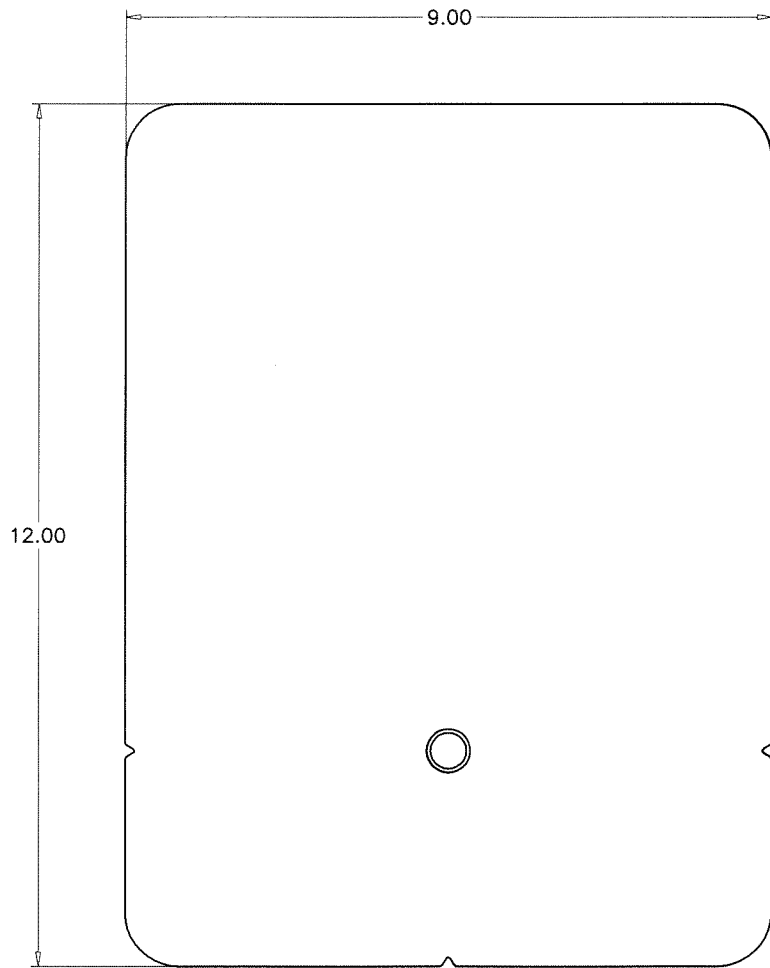
① L FOOT



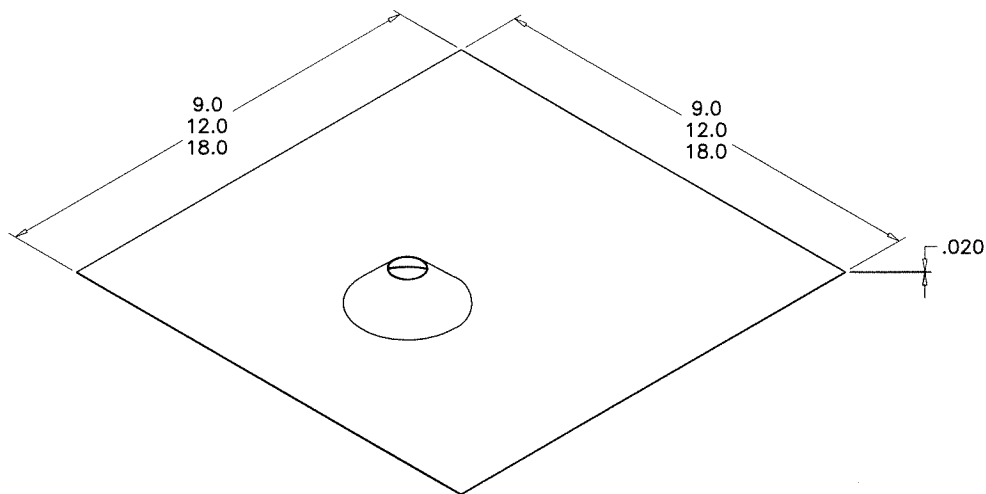
⑤ POST



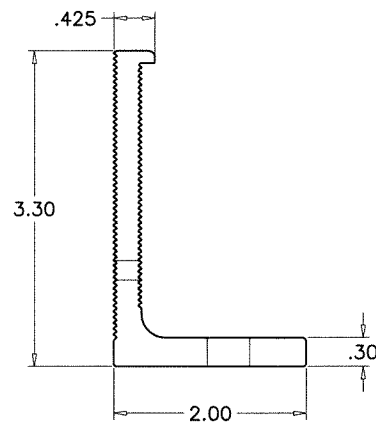
⑥ QBASE BASE



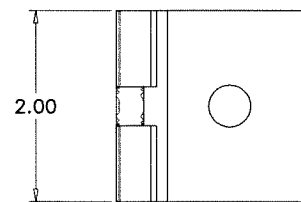
② FLASHING



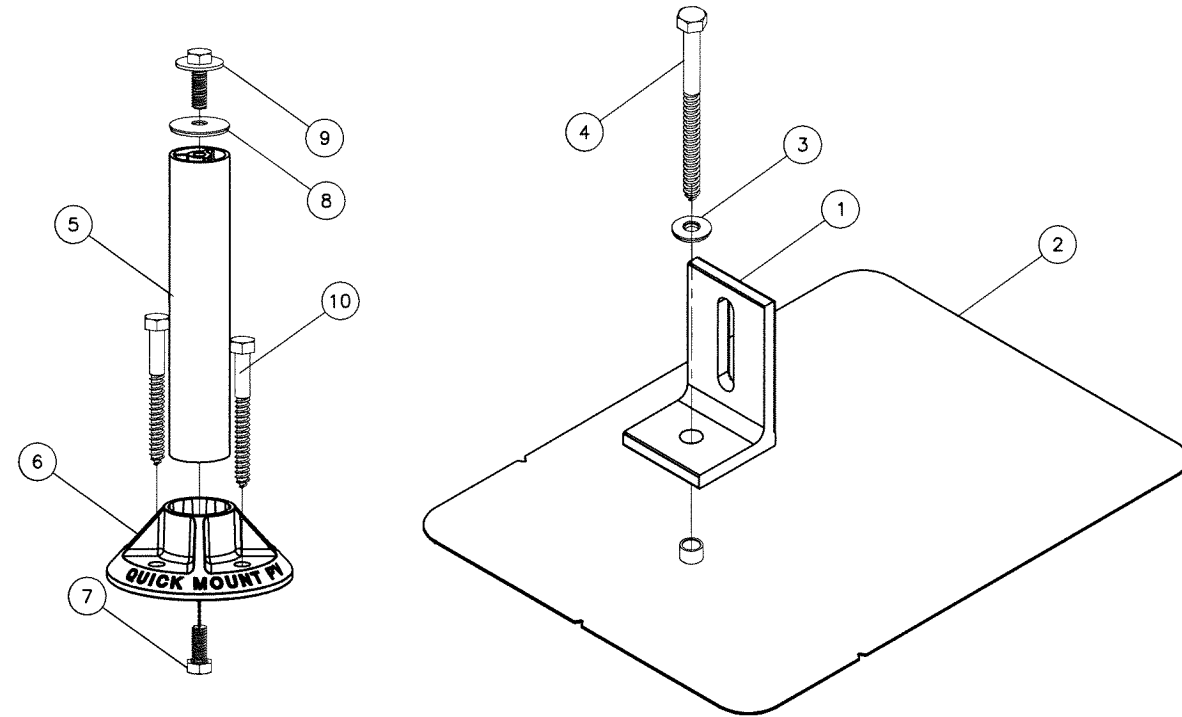
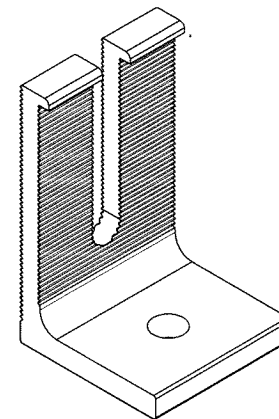
⑪ FLASHING



①A ALT.



OPEN SLOTTED L-FOOT

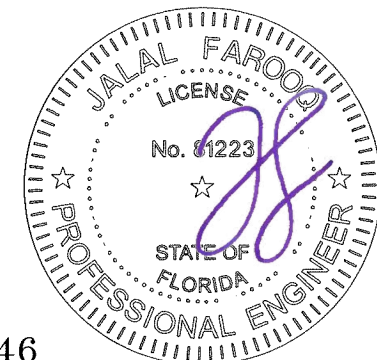


| L-MOUNT | | | | |
|---------|--------|----------|---------------------------------|-----------------------------------|
| ITEM # | PART # | REQD. | DESCRIPTION | MATERIAL |
| 1 | -- | AS REQD. | L-FOOT | 6000 SERIES ALUM (Fy MIN. 35 KSI) |
| 1A | -- | AS REQD. | OPEN SLOTTED L-FOOT | 6000 SERIES ALUM (Fy MIN. 35 KSI) |
| 2 | -- | AS REQD. | 9 " X 12" X 0.40" FLASHING | 300 SERIES ALUM (Fy MIN 23 KSI) |
| 3 | -- | AS REQD. | 5/16" ID X 3/4" OD. WASHER | EPDM BACKED STAINLESS STEEL |
| 4 | -- | AS REQD. | 5/16" Ø X 4" HEX HEAD LAG SCREW | ZINC PLATED OR STAINLESS STEEL |

| QBASE | | | | |
|--------|--------|----------|--|-----------------------------------|
| ITEM # | PART # | REQD. | DESCRIPTION | MATERIAL |
| 5 | -- | AS REQD. | 1.25 Ø POST (3.25" MIN - 12.0" MAX.) | 6000 SERIES ALUM (Fy MIN. 16 KSI) |
| 6 | -- | AS REQD. | QBASE BASE | 300 SERIES ALUM (Fy MIN. 23 KSI) |
| 7 | -- | AS REQD. | 5/16"-18 X 3/4" CAP SCREW, H.H. | COATED STEEL |
| 8 | -- | AS REQD. | 5/16" ID X 1-1/4" OD. WASHER | EPDM BACKED STAINLESS STEEL |
| 9 | -- | AS REQD. | 5/16"-18 X 1" CAP SCREW H.H. | 300 SERIES STAINLESS STEEL |
| 10 | -- | AS REQD. | 5/16" Ø X 3" HEX HEAD LAG SCREW | 300 SERIES STAINLESS STEEL |
| 11 | -- | AS REQD. | QBASE FLASHING (9"X9", 12"X12", 18"X18") | 300 SERIES ALUM (Fy MIN 23 KSI) |

FL #29846

Sealed: 10/19/2021



af c
AL-FAROOQ CORPORATION
 ENGINEERS & PRODUCT DEVELOPMENT
 9360 SUNSET DRIVE, SUITE 220
 MIAMI, FLORIDA 33173 (C.A.N. 3538)
 TEL. (305) 264-8100 FAX. (305) 262-6978
 SOLAR-SUPPORT\20-79

QBASE & L-MOUNT SOLAR ROOF ATTACHMENTS (N.I.)
QUICKMOUNT
 28357 Industrial Blvd.
 Hayward, CA. 94545
 Phone: (800) 227-9523 Fax: (510) 259-9747

| revisions: | no | date | by | description |
|------------|----|----------|----|------------------|
| | A | 10.06.21 | ML | GENERAL REVISION |

date: 10-09-20
 scale: 3/8"=1'-0"
 dr. by: MLS
 chk. by:
 drawing no.
20-79
 Sheet 4 of 4