

Accessory Frame Bracket

For mounting module level electronics to standard module frames

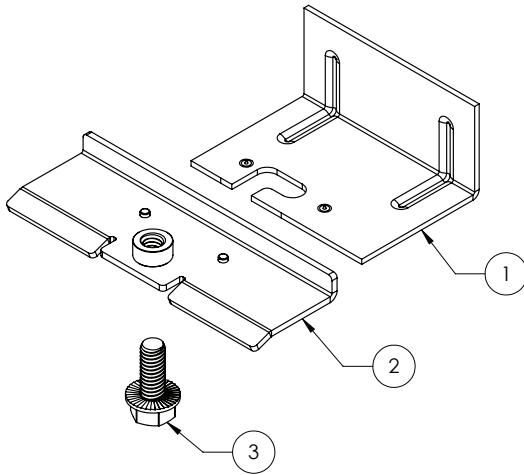


Works with:

Quick Rack™ Rail-Free System | Rooftop Racking Systems
Ground Mounted Systems | Ballasted Systems

Quick Mount PV[®]
RESPECT THE ROOF

ITEM NO.	DESCRIPTION	QTY.
1	ACCESSORY FRAME CLAMP, UNIVERSAL, 5052-H32, MILL	1
2	ACCESSORY FRAME BRACKET, 5052-H32, MILL	1
3	CAP SCREW, SERRATED FLANGE, HEX HEAD, 5/16"-18 X 3/4", UNC-2A, 18-8SS	1



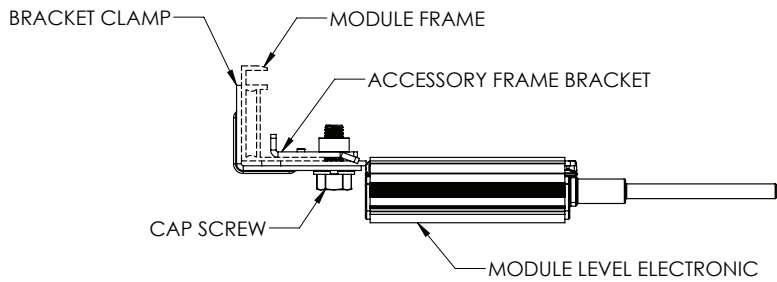
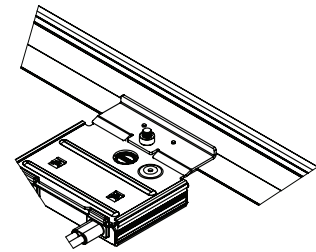
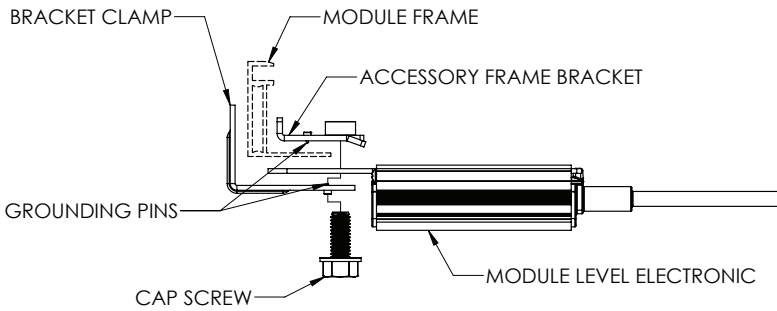
Quick Mount PV®

TITLE:
QMAFBU: ACCESSORY FRAME BRACKET, UNIVERSAL

UNLESS OTHERWISE SPECIFIED: DIMENSIONS ARE IN INCHES TOLERANCES: FRACTIONAL ± 1/8 TWO PLACE DECIMAL ±.19 THREE PLACE DECIMAL ±.094	SIZE	DRAWN BY: RAD	REV
	A	DATE: 11/4/2016	1
	SCALE: 2:3	WEIGHT: 0.19	SHEET 1 OF 2

PROPRIETARY AND CONFIDENTIAL
THE INFORMATION CONTAINED IN THIS DRAWING IS THE SOLE PROPERTY OF QUICK MOUNT PV. ANY REPRODUCTION IN PART OR AS A WHOLE WITHOUT THE WRITTEN PERMISSION OF QUICK MOUNT PV IS PROHIBITED. COPYRIGHT © 2016 QUICK MOUNT PV

DO NOT SCALE DRAWING



Quick Mount PV®

TITLE:
QMAFBU: ACCESSORY FRAME BRACKET, UNIVERSAL

UNLESS OTHERWISE SPECIFIED: DIMENSIONS ARE IN INCHES TOLERANCES: FRACTIONAL ± 1/8 TWO PLACE DECIMAL ±.19 THREE PLACE DECIMAL ±.094	SIZE	DRAWN BY: RAD	REV
	A	DATE: 11/4/2016	1
	SCALE: 1:2	WEIGHT: 3.81	SHEET 2 OF 2

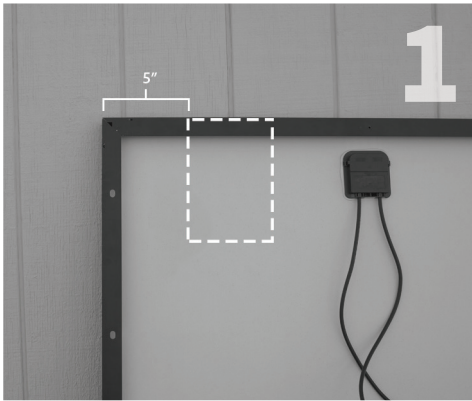
PROPRIETARY AND CONFIDENTIAL
THE INFORMATION CONTAINED IN THIS DRAWING IS THE SOLE PROPERTY OF QUICK MOUNT PV. ANY REPRODUCTION IN PART OR AS A WHOLE WITHOUT THE WRITTEN PERMISSION OF QUICK MOUNT PV IS PROHIBITED. COPYRIGHT © 2016 QUICK MOUNT PV

DO NOT SCALE DRAWING

Accessory Frame Bracket | QMAFBU

Quick Start Guide

Installation Tools Required: PV wire clips, 1/2" socket and torque wrench.



In a standard landscape or portrait array, the Accessory Frame Bracket should be installed at least 5 inches from the edge of the module and at least 1 inch from the edge of the module junction box.



With the cap screw threaded into the bracket, slide the cap screw into the slot on the module level electronic mounting bracket with the bracket behind the module level electronic mounting bracket.



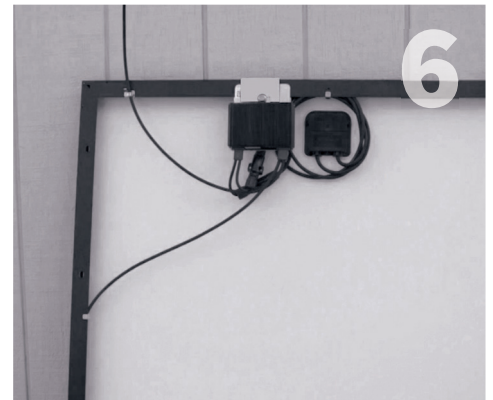
Slide this assembly onto the module frame with the bracket behind the module frame, the module level electronic mounting bracket in front of the module frame.



Place the frame clamp over the edge of the module frame, and in front of the module level electronic mounting bracket. Slide the assembly up and to the left to engage cap screw into frame clamp slot.



Tighten the cap screw with a half-inch socket and torque wrench to a torque of 15 foot-pounds.



Neatly coil the wires and clip to module frame.

Notes:

Be sure to comply with all state, local, and module level electronic requirements.

Find UL 2703 Installation Instructions here:

www.quickmountpv.com/pdfs/QMAFBU_UL.pdf

For UL 2703 listing, see UL Constructional Data Report here:

www.quickmountpv.com/quickrack/pdfs/QMAFB-UL2703-Listing.pdf



UL STD 2703

BI 7.2.3-37_1



925-478-8269 | www.quickmountpv.com | info@quickmountpv.com
2700 Mitchell Dr. | Walnut Creek, CA 94598

Apr-2017, Rev 1

©2017 by Quick Mount PV. All rights reserved.