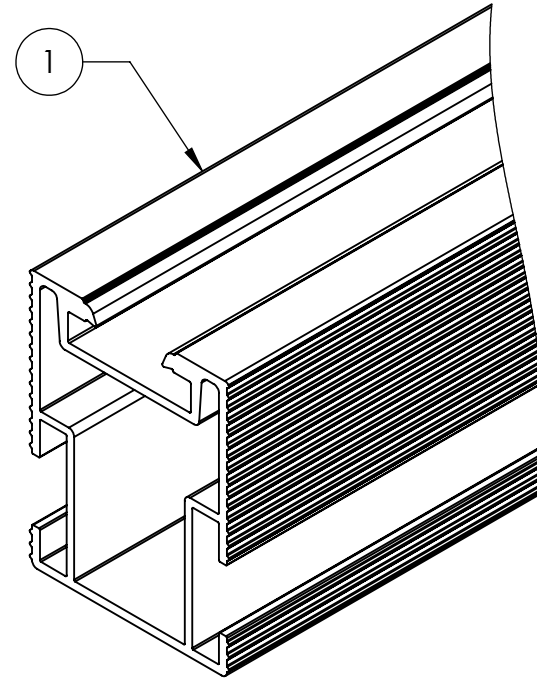
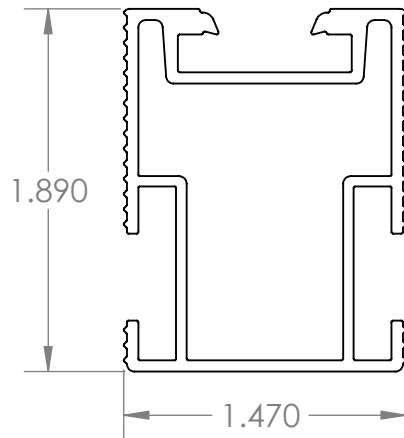


ITEM NO.	DESCRIPTION	QTY.
1	QRAIL, STANDARD, AL, MILL	1



NOTES:

1. AVAILABLE IN MILL FINISH AND BLACK FINISH
2. WEIGHT = 0.65 POUNDS PER FOOT

Quick Mount PV[®]

TITLE:

QMR-RS: QRAIL STANDARD

UNLESS OTHERWISE SPECIFIED: DIMENSIONS ARE IN INCHES TOLERANCES: FRACTIONAL ± 1/8 TWO PLACE DECIMAL ±.19 THREE PLACE DECIMAL ±.094	SIZE	DRAWN BY: RAD	REV
	A	DATE: 10/7/2019	4
SCALE: 1:1	WEIGHT: 0.65	SHEET 1 OF 1	