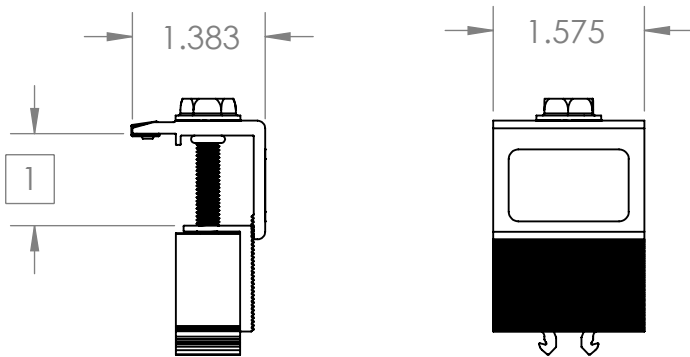
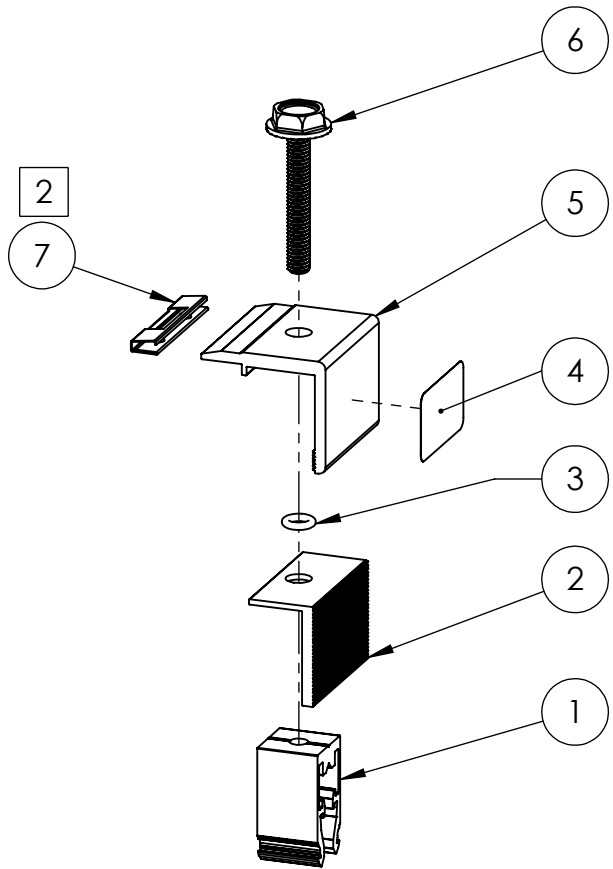


ITEM NO.	DESCRIPTION	QTY.
1	QCLICK, 17MM, AL, MILL	1
2	UNIVERSAL END CLAMP, QRAIL, LOWER, 40MM, AL, MILL	1
3	RUBBER O-RING, 5MM ID X 2MM THK, BUNA-N	1
4	STICKER, ETL, QRAIL, END CLAMP	1
5	UNIVERSAL END CLAMP, V1.5, QRAIL, UPPER, 40MM, AL, MILL	1
6	CAP SCREW, SERRATED FLANGE, HEX HEAD, M6 X 1.0MM X 40MM, 1/2" HEAD, A2-70 SS	1
7	WEEB BMC, 304 SS (SOLD SEPERATELY)	1



NOTES:

- 1 AVAILABLE IN TWO SIZE RANGES: 30-45MM and 38-50MM
- 2 CONVERT TO BONDED VERSION WITH ADDITION OF PART #7, WEEB-BMC (SOLD SEPERATELY AS QMR-ECW)
- 3. ALL VERSIONS AVAILABLE IN MILL FINISH, AND BLACK FINISH

Quick Mount PV[®]

TITLE:
QMR-UEC: UNIVERSAL END CLAMP, V1.5, 1/2" DRIVE, QRAIL

UNLESS OTHERWISE SPECIFIED: DIMENSIONS ARE IN INCHES TOLERANCES: FRACTIONAL ± 1/8 TWO PLACE DECIMAL ±.19 THREE PLACE DECIMAL ±.094	SIZE A	DRAWN BY: RAD	REV 1
	SCALE: 1:2	DATE: 9/18/2019	WEIGHT: 0.13
		SHEET 1 OF 1	